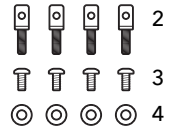
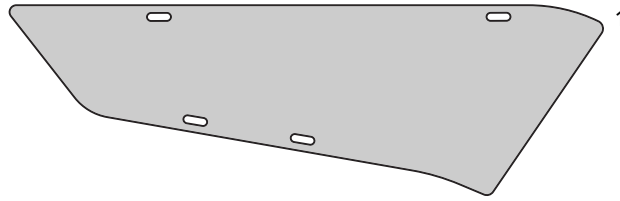


Branding Board Set

What's Included

1. Branding Board x 1
2. M5 Custom Bolt (with 90° mount) x 4
3. M5 Bolt x 4
4. M5 Washer x 4

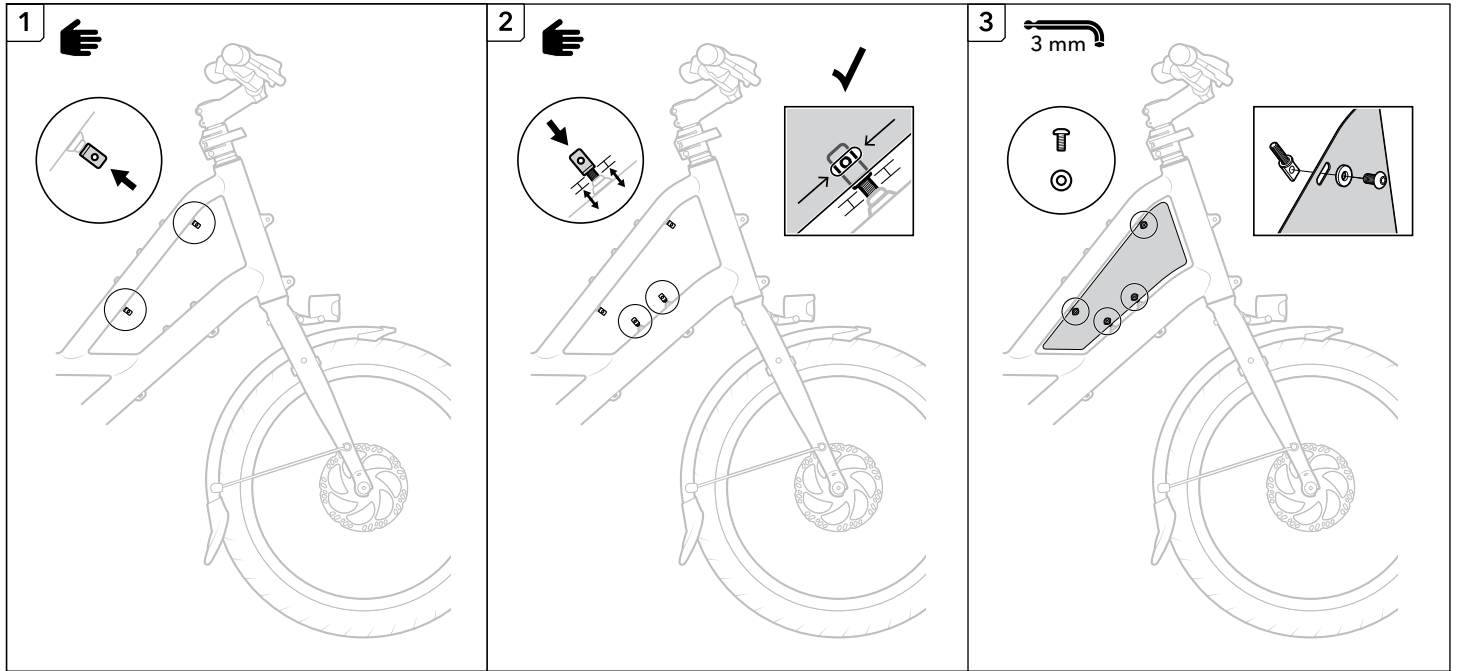


Tools Required (Not Included)

3 mm Allen Wrench



Installation



⚠ Learn more about how to easily design and print out stickers to fit on the Branding Board.

LIMITED PRODUCT WARRANTY INFORMATION: This Product comes with a ONE (1) YEAR Limited Warranty from the date of retail purchase by the original end-user. If a material or workmanship defect arises and a valid claim is received within the Warranty Period, this Product will be replaced. Mobility Holdings cannot be held liable for damages to personal property due to misuse or improper care and maintenance. This Product Warranty does not, under any circumstance, cover the replacement or cost of any third-party product used with or connected to the Product.

Tern, the Tern Werd (logotype) and the Tern Berd (device) used alone or in combination are trade names, trade devices or registered trademarks of Mobility Holdings, Ltd.

© 2022. Tern is a trademark of Mobility Holdings, Ltd. All Rights Reserved.

