

## Specifications

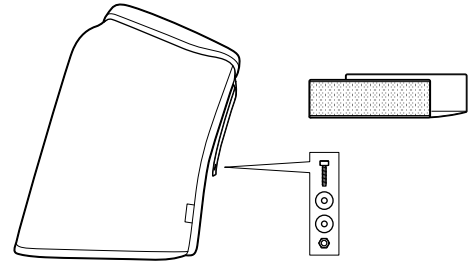
- Total Volume: 5.5 L (335 cu in)

## Tools Required (Not Included)

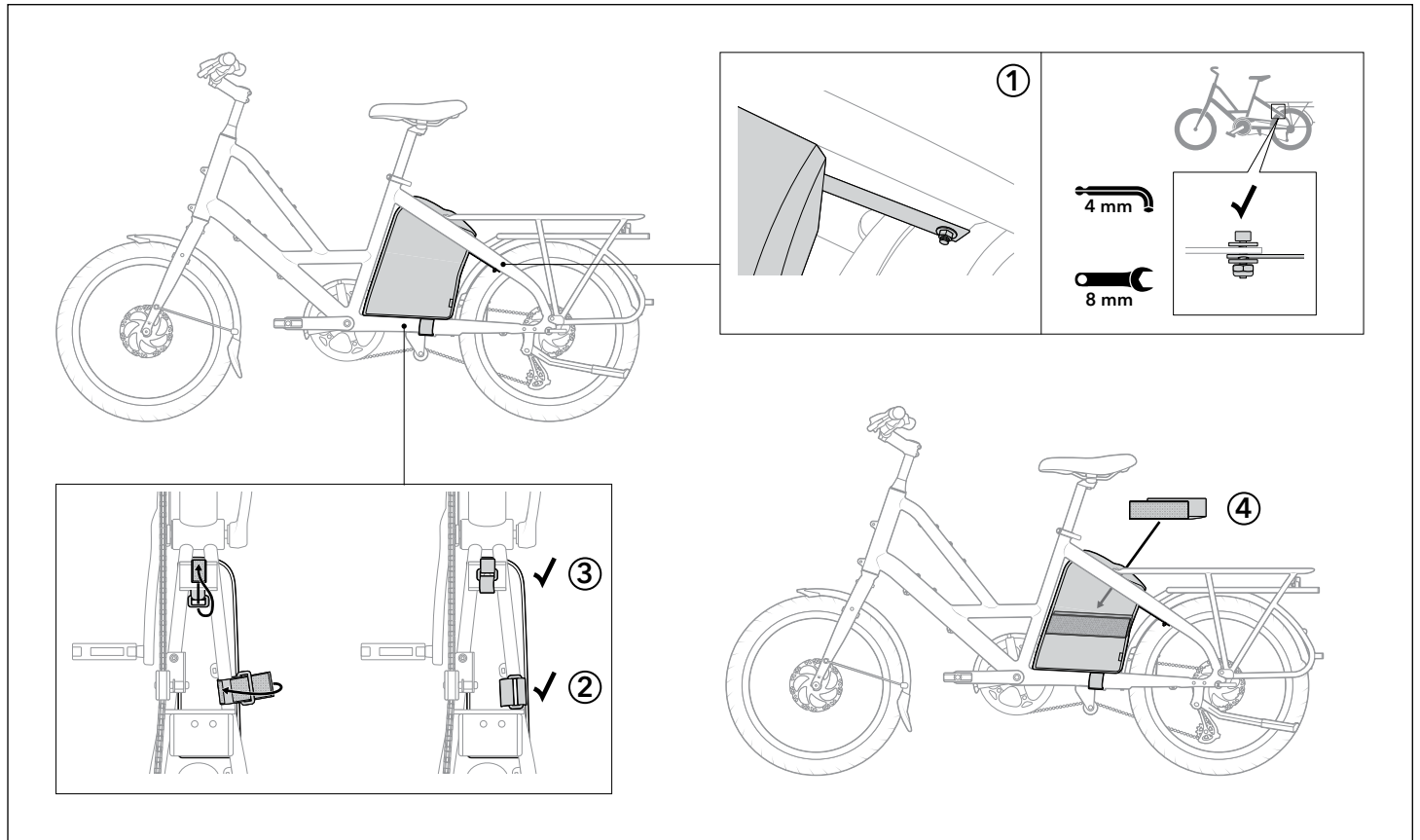
- 4 mm Allen Wrench
- 8 mm Wrench

## What's Included

- Carryall Trunk
- Trunk Divider
- M5 x 16 Bolt x 1
- M5 Washer x 2
- M5 Nut x 1



## Installation



⚠ Please take care not to overstuff the Carryall Trunk. Overloading the bag may cause the sides to come into contact with the chain or crank arm.

LIMITED PRODUCT WARRANTY INFORMATION: This Product comes with a ONE (1) YEAR Limited Warranty from the date of retail purchase by the original end-user. If a material or workmanship defect arises and a valid claim is received within the Warranty Period, this Product will be replaced. Mobility Holdings cannot be held liable for damages to personal property due to misuse or improper care and maintenance. This Product Warranty does not, under any circumstance, cover the replacement or cost of any third party product used with or connected to the Product.

Tern, the Tern Werd (logotype), the Tern Berd (device), and Carryall Trunk used alone or in combination are trade names, trade devices or registered trademarks of Mobility Holdings, Ltd.

© 2022. Tern is a trademark of Mobility Holdings, Ltd. All Rights Reserved.

   @ternbicycles