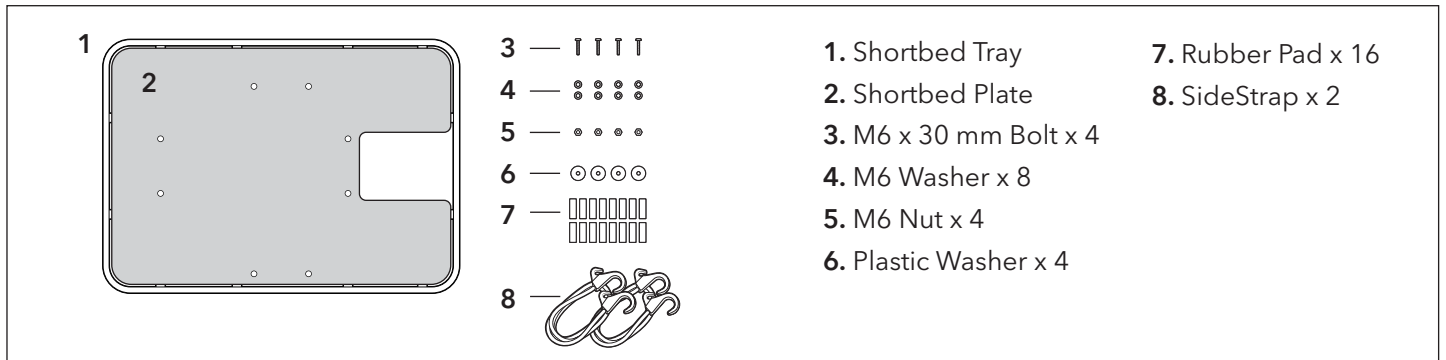


Shortbed™ Tray

What's Included



Weight Limit

Do not exceed 35 kg (77 lb).

Safety

- ▲ Do not use the Shortbed Tray to move your bike.
- ▲ Place loads evenly and as central on the Tray as possible.
- ▲ Secure all cargo before riding. Take care that all straps are tied down and any loose item is secured.

Installation

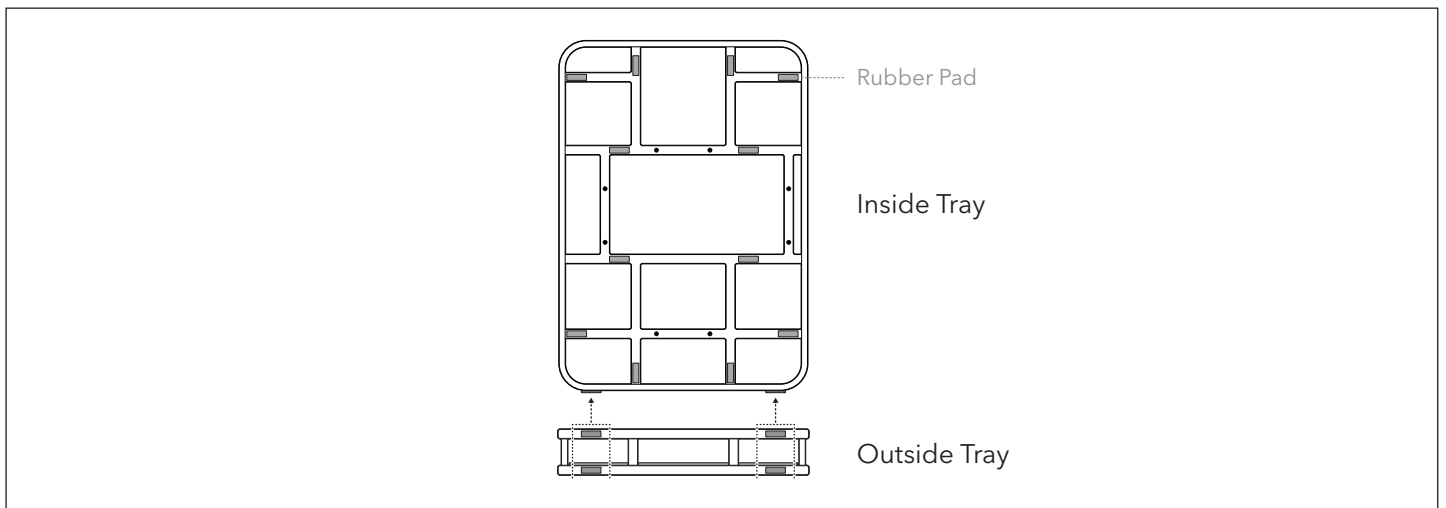
Tools required (not included)

10 mm Wrench

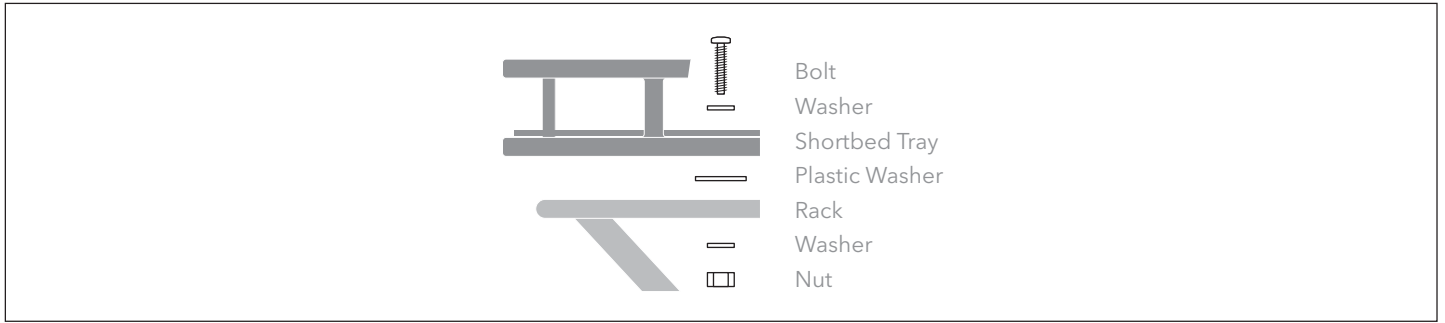
4 mm Allen Wrench

Affix Rubber Pads

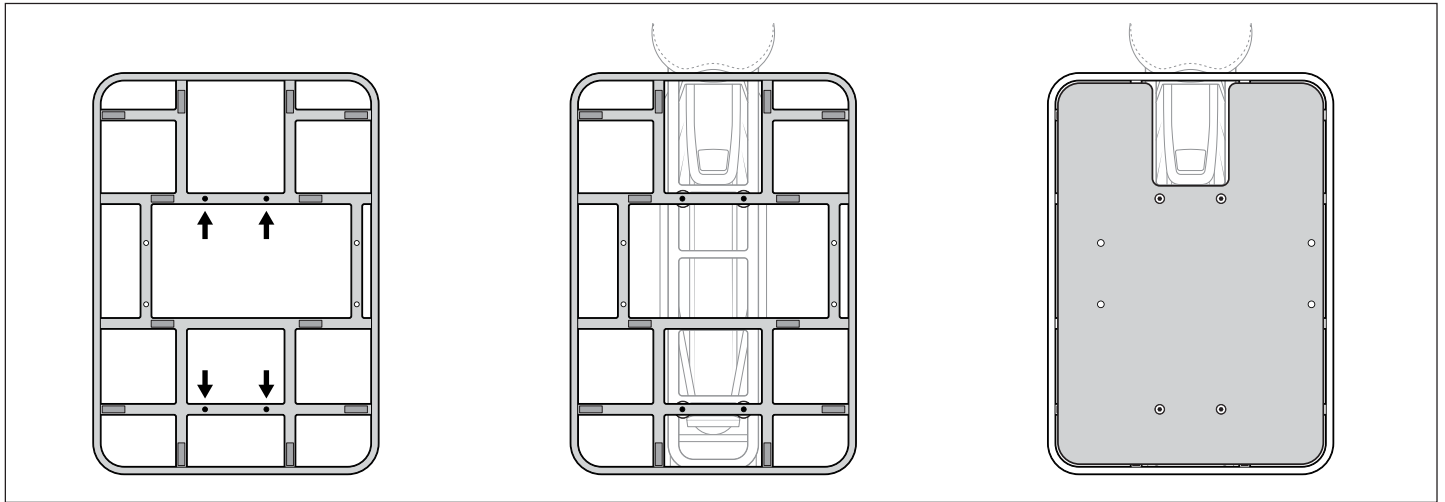
Clean metal surface with rubbing alcohol to remove dirt and oil. Peel off back of sticker and affix to the locations shown in the diagram below.



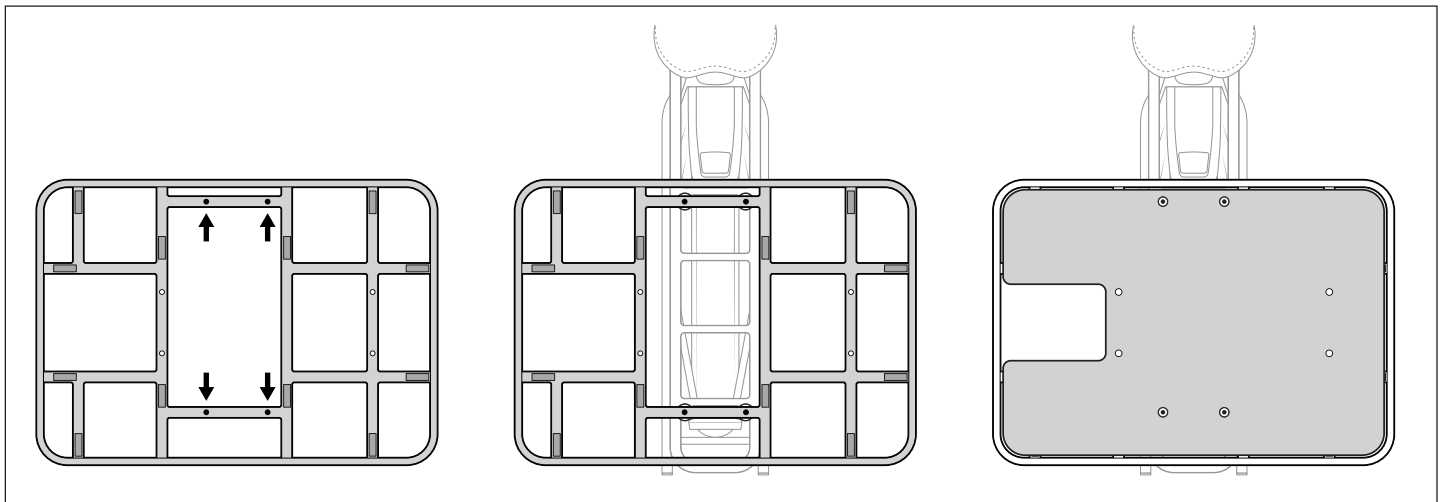
Assembly sequence



To mount parallel on the GSD



To mount perpendicular to the GSD, HSD, Quick Haul or Short Haul



LIMITED PRODUCT WARRANTY INFORMATION: This Product comes with a ONE (1) YEAR Limited Warranty from the date of retail purchase by the original end-user. If a material or workmanship defect arises and a valid claim is received within the Warranty Period, this Product will be replaced. Mobility Holdings cannot be held liable for damages to personal property due to misuse or improper care and maintenance. This Product Warranty does not, under any circumstance, cover the replacement or cost of any third party product used with or connected to the Product.

Tern, the Tern Werd (logotype), the Tern Berd (device), GSD, HSD, Quick Haul, Short Haul, and Shortbed Tray used alone or in combination are trade names, trade devices or registered trademarks of Mobility Holdings, Ltd.

© 2023. Tern is a trademark of Mobility Holdings, Ltd. All Rights Reserved.



[ternbicycles.com](https://www.ternbicycles.com)