

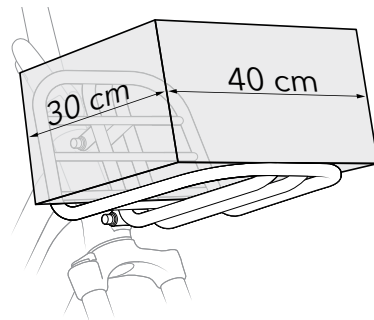
Weight Limit

Do not exceed 20 kg (44 lb).



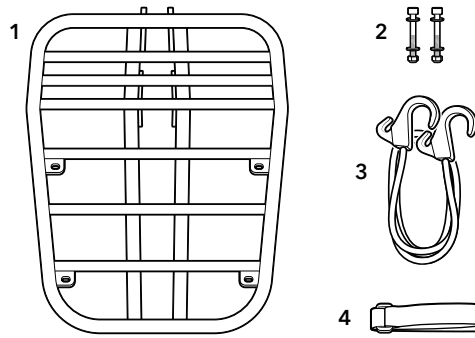
Cargo Size Recommendation

Please note that although the Hauler Rack has a load capacity of 20 kg (44.1 lb), it is recommended for dimensions of heavier cargo to remain within the size of a 30 cm x 40 cm (≈11.75 in x 15.75 in) crate to prevent potential damage to the Rack caused by overhanging cargo.



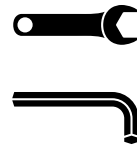
What's Included

1. Hauler Rack
2. Bolt Set x 2
 - M6 x 45 mm Bolt
 - M6 Washer
 - M6 Nylon Nut
3. SideStrap x 1
4. Cable Strap x 1

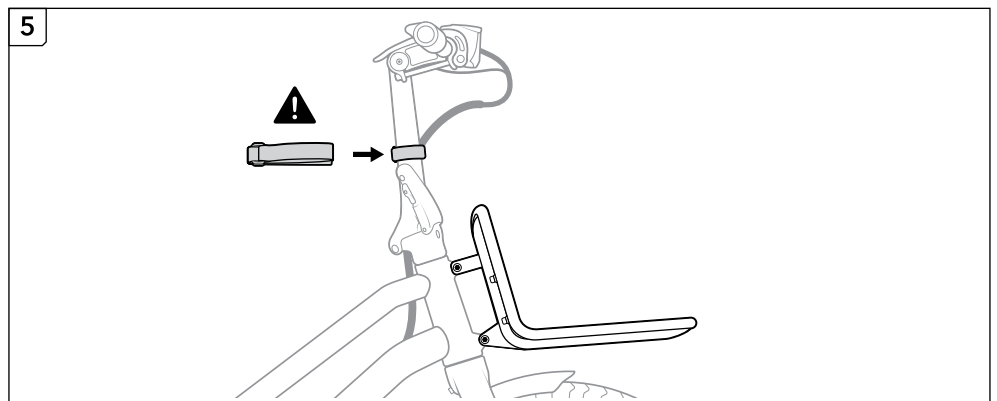
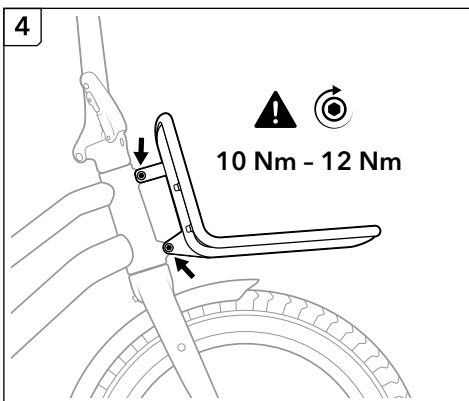
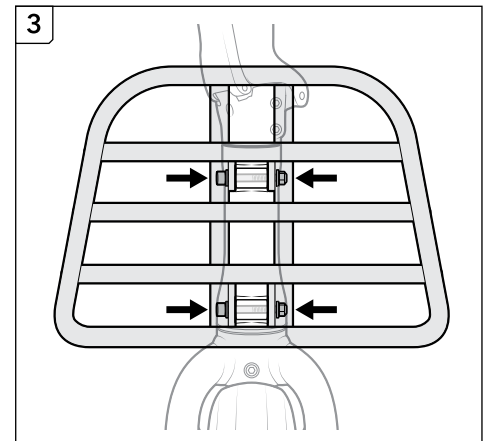
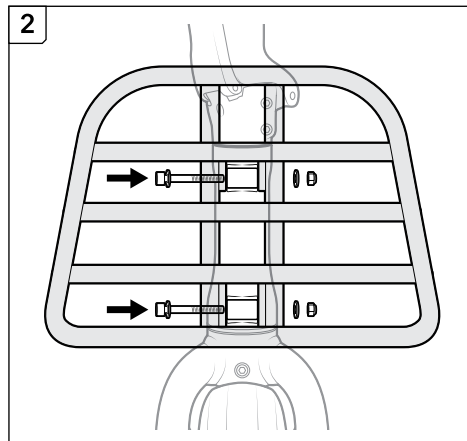
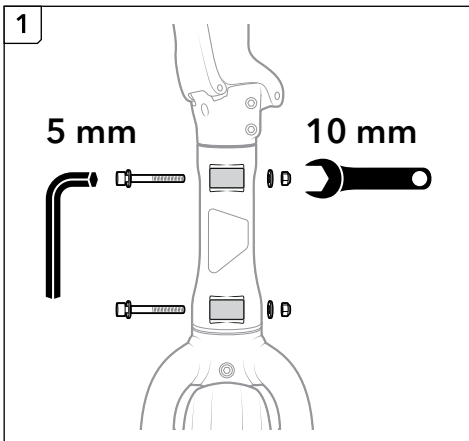


Tools Required (not included)

- 5 mm Allen Wrench
- 10 mm Open-End Wrench



Installation

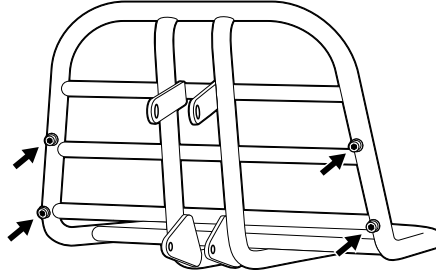


How to Install a Bottle Cage and/or Lock

Tools Required (not included)

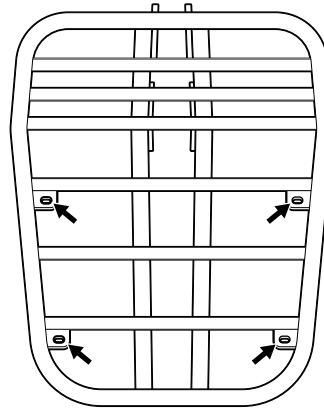
- 4 mm Allen Wrench

1. Remove Bottle Cage bolts from Rack.
2. Position Cage or Lock against the braze-ons.
3. Tighten Bolts to a torque of 4 Nm - 5 Nm.



Additional Mount

These mounting holes allow you to drill holes in a crate or similar object and bolt it to the rack.



Safety

- ⚠ Do not exceed your bike's Max Gross Vehicle Weight (the maximum weight that a bike has been designed to safely carry). The combined weight of Bicycle + Accessories + Rider and Passenger(s) + all Cargo + Trailer (with no braking system) must be LESS than the MGWV for safe riding.
- ⚠ Do not move your bike by the Hauler Rack.
- ⚠ Check that cables and cargo do not interfere with steering and/or braking before riding.
- ⚠ Secure all cargo before riding. Take care that all straps are tied down and any loose item is secured.

LIMITED PRODUCT WARRANTY INFORMATION: This Product comes with a ONE (1) YEAR Limited Warranty from the date of retail purchase by the original end-user. If a material or workmanship defect arises and a valid claim is received within the Warranty Period, this Product will be replaced. Mobility Holdings cannot be held liable for damages to personal property due to misuse or improper care and maintenance. This Product Warranty does not, under any circumstance, cover the replacement or cost of any third party product used with or connected to the Product.

Tern, the Tern Werd (logotype), the Tern Berd (device), Combo Mount, and Hauler used alone or in combination are trade names, trade devices or registered trademarks of Mobility Holdings, Ltd.

© 2023 Mobility Holdings, Ltd. All rights reserved.