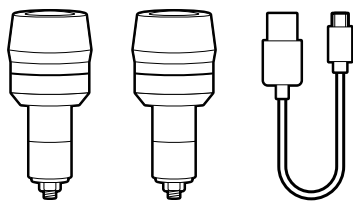


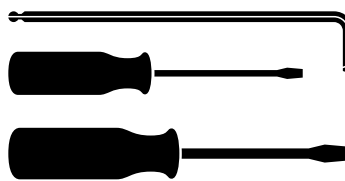
What's Included

- Light x 2
- Micro-USB Charging Cable x 1

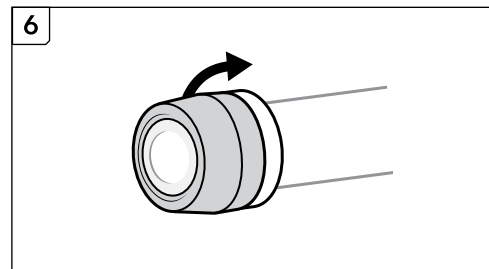
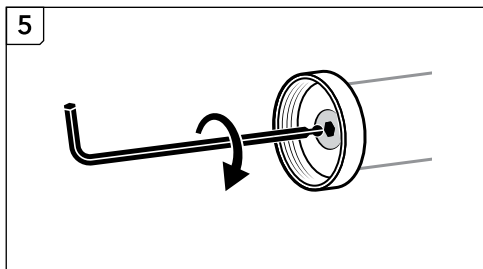
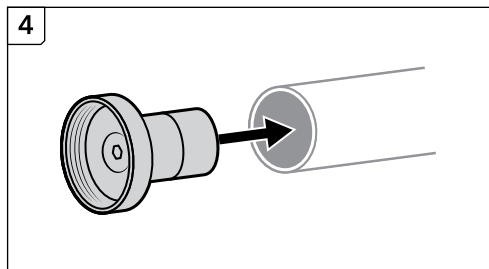
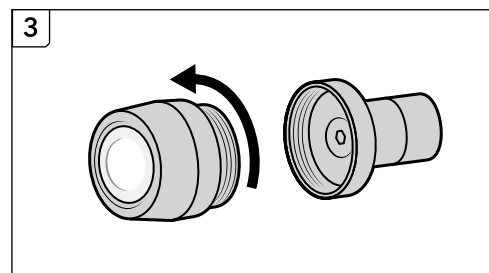
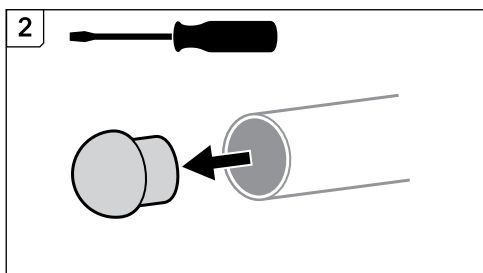
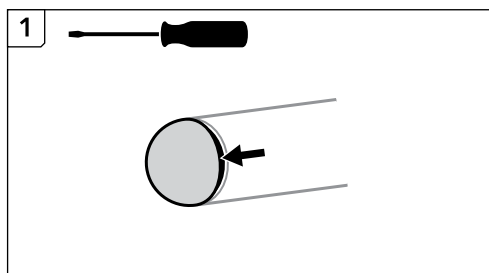
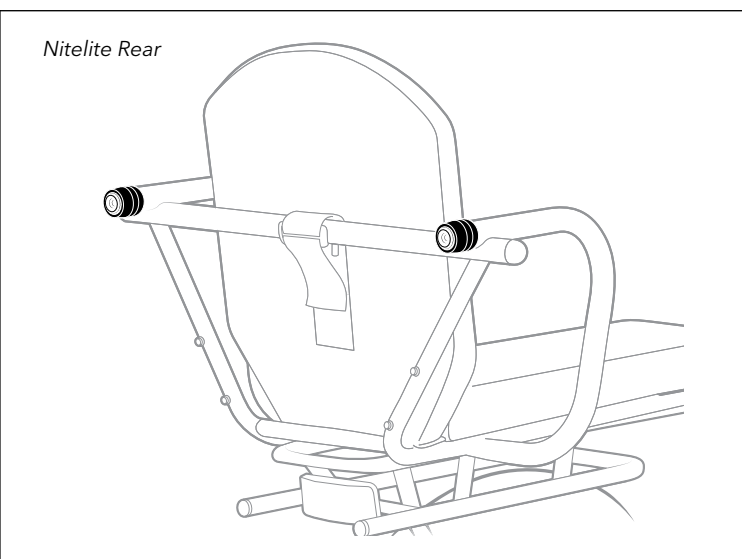
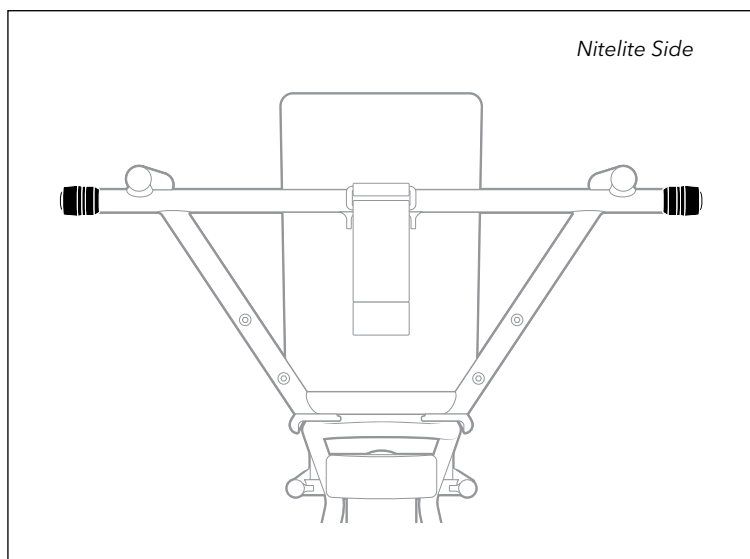


Tools Required (not included)

- 3 mm Allen Wrench
- Small Flathead Screwdriver
- Medium Flathead Screwdriver



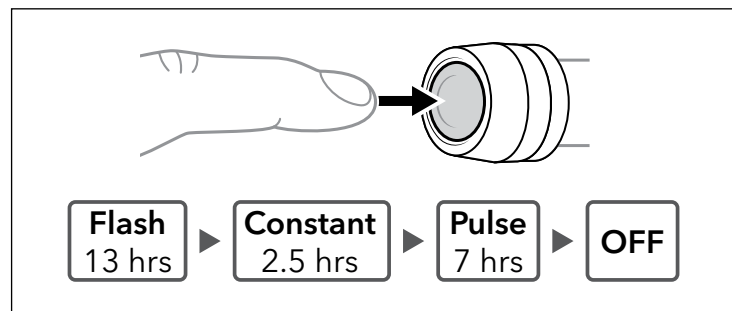
Installation



Check your local traffic laws to ensure appropriate placement and operation of Lights.

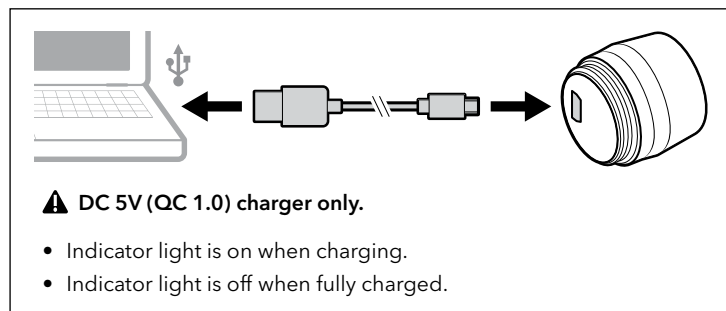
How to Use

Double press lens to turn ON. Single press lens to switch modes.



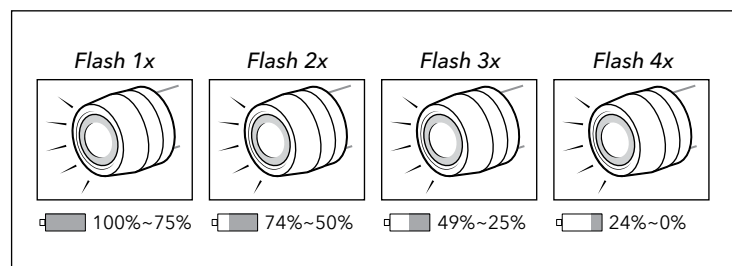
Battery Charging

Charging time: 2.5 hours



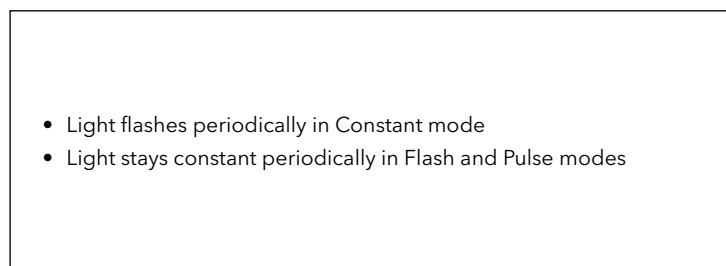
Battery Level Indicator

Press and hold lens for 1.5 seconds to activate battery level indicator.



Low Battery Indicator

When battery level is at less than 25%:



Attention

- Check with local traffic laws to ensure appropriate placement and operation of Lights.
- Fully charge Lights before using them for the first time.
- Check that the Battery has sufficient charge before riding.
- Red lights are intended for mounting on rear-facing bar ends, and do not support Vertical Parking when installed.
- Using Lights in Constant mode can improve depth perception and tracking of your bike for drivers.
- The Lights are water resistant, not waterproof. Do not submerge in water.
- Do not stare directly into LEDs.
- Keep Lights out of reach of children.
- Use a DC 5V (QC 1.0) charger only. QC 2.0 or 3.0 charging equipment may damage Lights.
- Stop charging once indicator light is off.
- Both charging time and runtime are estimates and may vary with operation environment and other conditions.
- Battery capacity may decrease over time with use. The Battery can be fully charged and discharged about 300 times.
- Lights may not charge if connected PC is in sleep mode.
- Fully charge your Lights at least every 3 months when not in regular use.

Specifications

- Light source: LED x 2
- Battery: Rechargeable Lithium-ion Polymer Battery
- Charger: Micro USB
- Charging time: 2.5 hours

LIMITED PRODUCT WARRANTY INFORMATION: This Product comes with a ONE (1) YEAR Limited Warranty from the date of retail purchase by the original end-user. If a material or workmanship defect arises and a valid claim is received within the Warranty Period, this Product will be replaced. Mobility Holdings cannot be held liable for damages to personal property due to misuse or improper care and maintenance. This Product Warranty does not, under any circumstance, cover the replacement or cost of any third party product used with or connected to the Product.

Tern, the Tern Werd (logotype), the Tern Berd (device), and Nitelite used alone or in combination are trade names, trade devices or registered trademarks of Mobility Holdings, Ltd.

© 2023. Tern is a trademark of Mobility Holdings, Ltd. All Rights Reserved.

@ternbicycles

ternbicycles.com