

Manual Version 01

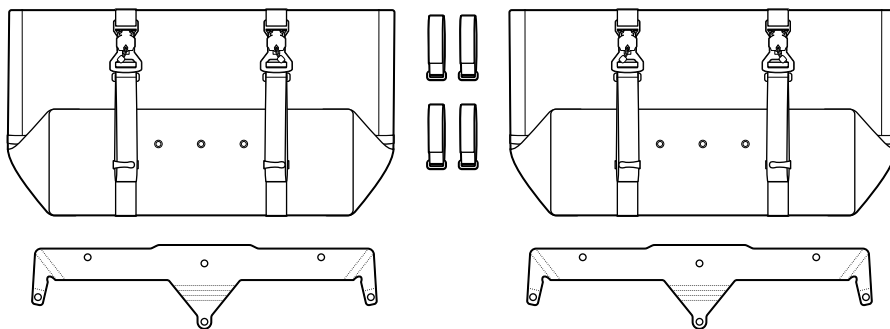
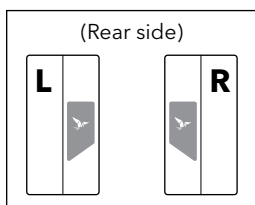
Make sure you have the latest support resources!

Visit [ternbicycles.com/support](http://ternbicycles.com/support) for:

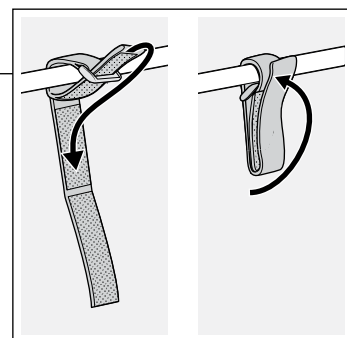
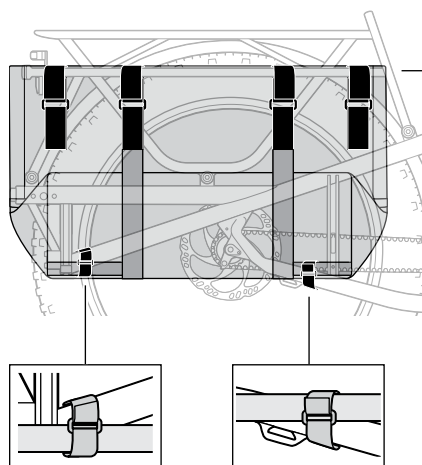
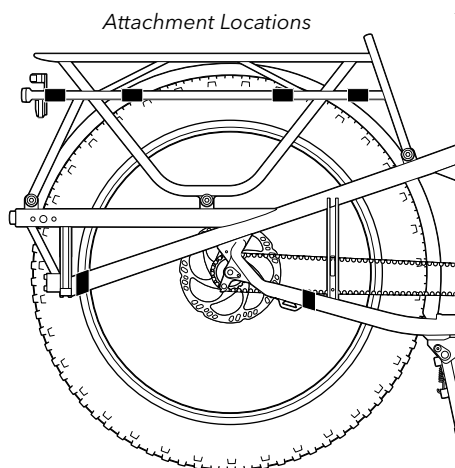


## What's Included

- Cargo Hold 72 Pannier x 2
- Guard Panel™ x 2
- Self-fastening Strap 25.4 x 215 mm (1" x 8.5") x 4

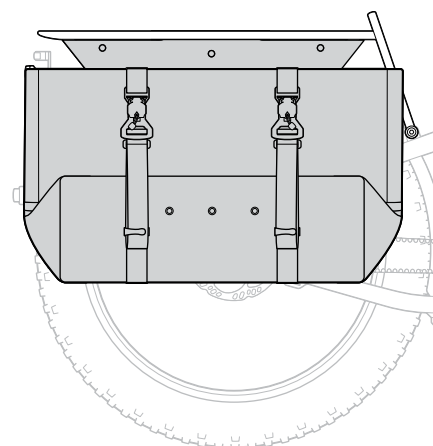
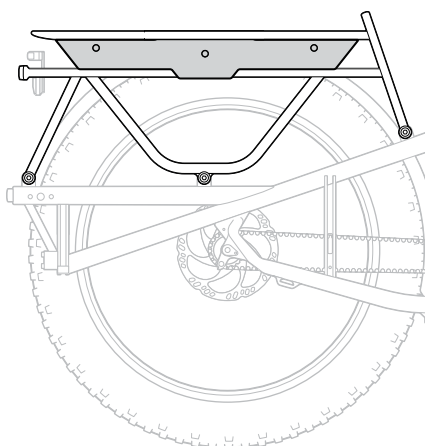
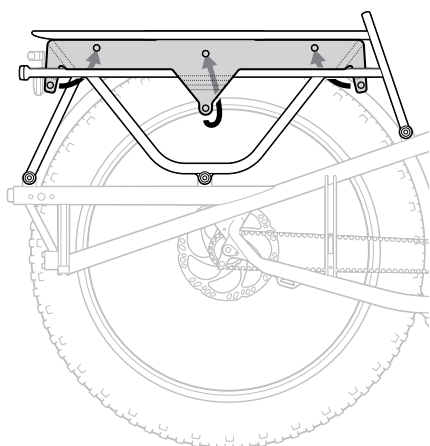


## Install Cargo Hold Pannier



## Install Guard Panels

**⚠** The Guard Panels are intended to be used in combination with the Cargo Hold 72 Panniers as foot and leg protection for rear passengers outside of child seats.



## Weight Capacity

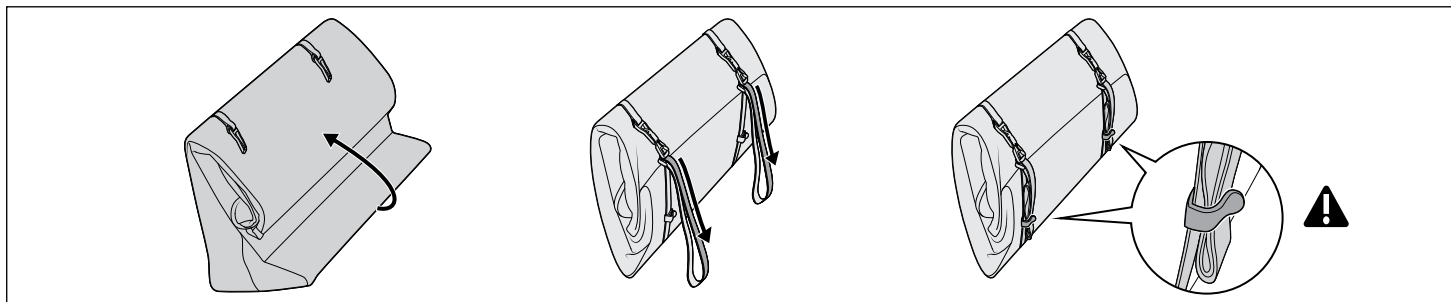
- 20 kg (44 lb) max load per pannier on paved roads.
- 10 kg (22 lb) max load per pannier on graded and maintained gravel roads.\*

## Volume

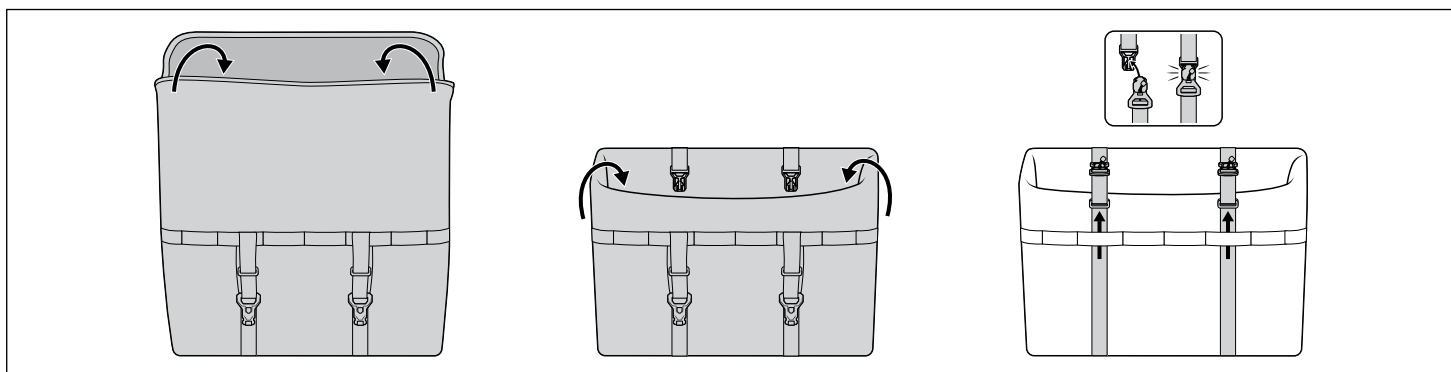
- 72 L (4,394 cu in) carrying capacity per pannier.

\* Riding off-road poses unique challenges. Reduce the max load by approximately 50% if riding on unpaved roads to ensure safety. Refer to the 'Intended Use' section in your bike's QuickStart Guide to learn more about suitable riding terrains.

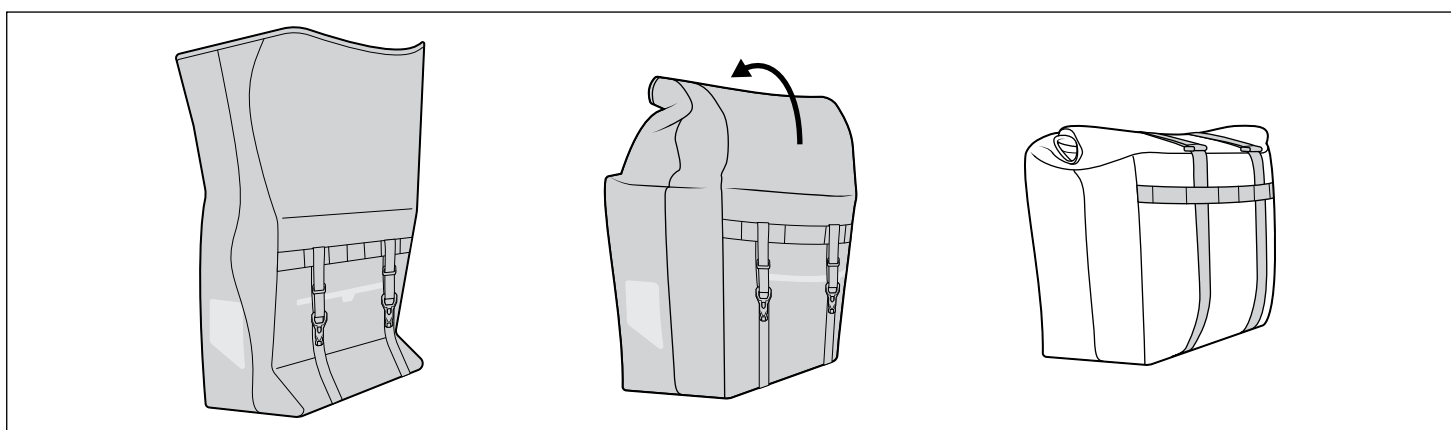
## Flat Fold



## Bucket Mode

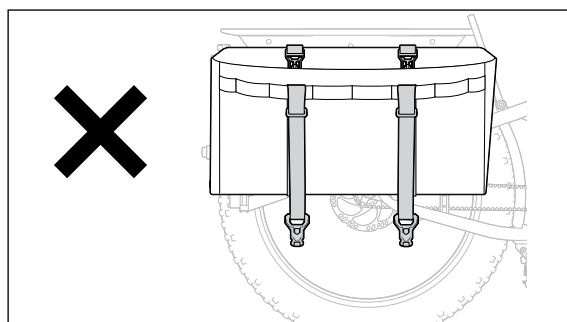


## Pannier Mode



## Important Notes

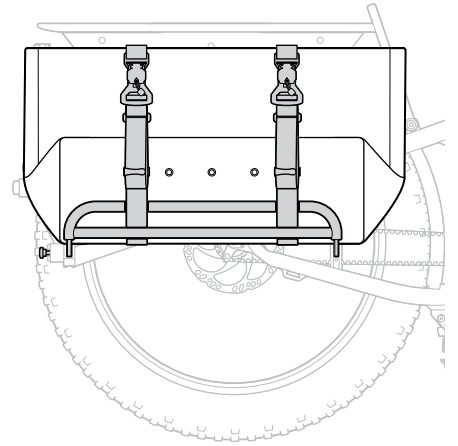
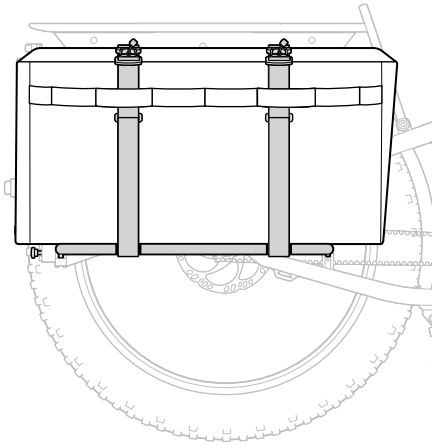
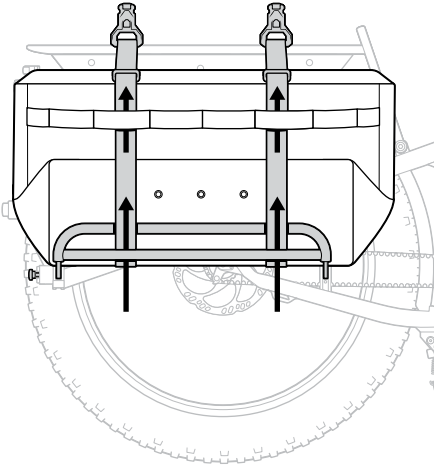
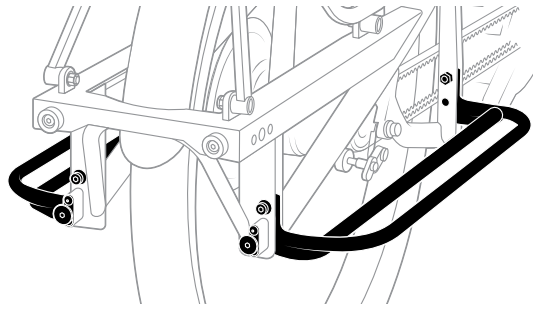
- Load Panniers so that weight is distributed evenly on both sides of the bike.
- Bike may behave differently when Panniers are loaded.
- Tighten Straps for more stable riding experience.
- Panniers with untightened Straps may come into contact with ground when cornering and be damaged.
- Ensure all Buckles are securely fastened before riding. Loose Buckles may drag on the ground and lead to accidents.
- Check by tugging on Straps. Buckles should not come unlatched.



## Using with Stow Decks (sold separately)

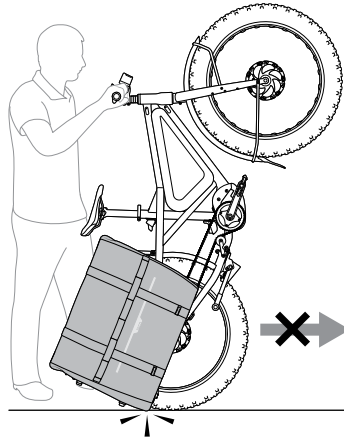


Scan to view  
Stow Decks



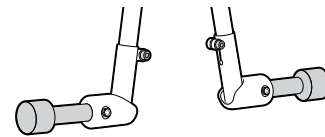
### Rolling into Vertical Parking Position

Please take care when moving the bike into the vertical parking position because the Panniers may come into contact with the ground. Scratching and damage may occur.



### Optional: Install Lockstand™ Extensions

For maximum stability when parked, install the Lockstand Extensions. Available for purchase from your local Tern dealer.



Scan to view  
Lockstand™ Extensions

LIMITED PRODUCT WARRANTY INFORMATION: This Product comes with a ONE (1) YEAR Limited Warranty from the date of retail purchase by the original end-user. If a material or workmanship defect arises and a valid claim is received within the Warranty Period, this Product will be replaced. Mobility Holdings cannot be held liable for damages to personal property due to misuse or improper care and maintenance. This Product Warranty does not, under any circumstance, cover the replacement or cost of any third party product used with or connected to the Product.

Tern, the Tern Werd (logotype), the Tern Berd (device), Orox, Lockstand, Guard Panel, and Cargo Hold used alone or in combination are trade names, trade devices or registered trademarks of Mobility Holdings, Ltd.

© 2024. Tern is a trademark of Mobility Holdings, Ltd. All Rights Reserved.

@ternbicycles

ternbicycles.com

Before carrying passengers, it's important to familiarize yourself with your bike's capabilities by referring to its user manual and/or QuickStart Guide.

## Safety Notes

### Check Local Regulations

⚠ It may be illegal to carry passengers on a bike in your area even if it has been designed or configured to do so. Check your local regulations before carrying passengers.

### Know Your Riding Condition

Both front and rear tires must always remain in contact with the ground when riding with passengers. No passenger is allowed when riding on unimproved or unmaintained trails with a natural surface, even if your bike is designed to handle such terrain.

### Follow Installation Procedures

Check to ensure accessories have been correctly installed and securely fastened before riding.

## Riding with Passengers

### Wear a Helmet

Rider and rear passenger(s) are strongly advised to wear an approved helmet.

### Use Proper Equipment

⚠ The bike must have the following accessories installed in order to safely transport rear passenger(s):

### Follow Your Bike's Max Gross Vehicle Weight Limits

⚠ Check your bike's user manual and/or QuickStart Guide for information about maximum gross vehicle weight\* and/or cargo weight\*\* limits. Please do not exceed these weight limits.



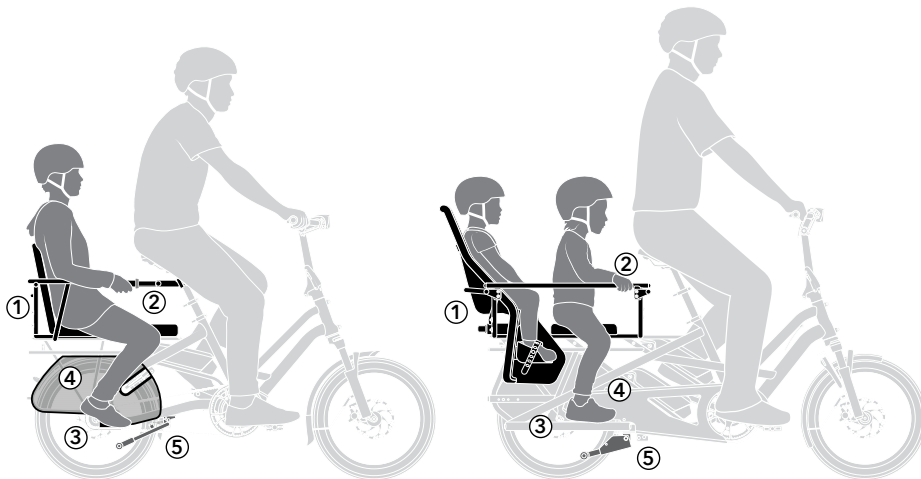
\* Maximum gross vehicle weight is the total weight of the bike, riders (the cyclist and any passengers), accessories, and cargo.

\*\* Cargo weight is the total weight of passengers, accessories, and cargo.

### Do NOT Leave Children Unattended

Do not allow your children to climb onto the bike nor leave your children unattended on the bike, even if it is on the kickstand. Wiggling children can upset the balance of the bike and a fall may result in serious injuries.

- 1. Seating.** Purpose-built rear seating, chosen according to the passenger's needs
- 2. Handhold.** Something for the passenger to hold on to, other than the bike itself
- 3. Foot support.** Fixed platforms or dedicated foot rests on both sides of the bike
- 4. Foot and leg protection.** Something to prevent feet and legs from getting caught in the spinning wheel
- 5. Double kickstand (optional).** Dual-leg kickstand with a wide stance that keeps a bike standing firmly on the ground, providing extra stability when loading and unloading a young passenger



The illustrations above show a mix of suggested gear to safely carry passengers. Your combination of passenger accessories may differ depending on your needs. To learn more about how to safely carry passengers on your bike, visit [ternbicycles.com/support](http://ternbicycles.com/support).

### Use Accessories Properly

If you're carrying young children on your bike, please follow the instructions provided by your child seat manufacturer for compatibility, proper installation, and recommended use to ensure your child's safety and comfort.

Our seating accessories are strictly for sitting. Using them for other purposes such as lifting the bike may cause damage to the frame and/or said accessories.

Our rear handhold accessories are intended for passengers to hold onto. Select rear rack-mounted handholds may be used to briefly lift the bike over small obstacles, but in general please refrain from adding substantial weight on the top of or using the rear passenger handholds to lift the bike, as this will cause undue stress which may damage the bike.

Our foot support accessories are strictly for passenger use when SEATED. Standing on them is unsafe and may permanently damage the frame.



Scan to view available passenger seating accessories