

## Manual Version 01

Make sure you have all the latest information needed to use and enjoy this product!

Visit [ternbicycles.com/support](http://ternbicycles.com/support) for updated:



## Max Towing Capacity

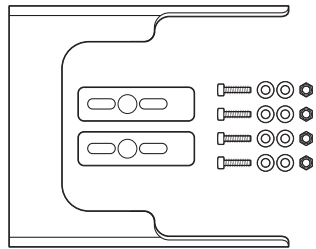
**⚠** The trailer & load should not exceed the max towing capacity of 60 kg (132 lb).

## Safety

- Do not exceed your bike's Max Gross Vehicle Weight (the maximum weight that a bike has been designed to safely carry). The combined weight of Bicycle + Accessories + Rider and Passenger(s) + all Cargo + Trailer (with no braking system) must be LESS than the MGWV for safe riding.
- Read and follow the trailer manufacturer's instructions before using.
- Check to ensure the trailer has been correctly installed and securely fastened before riding.
- Always remember that towing a trailer places increased loads on the the bike's brakes, engine, and steering, and can alter its performance and handling. Please make sure to practice riding with the attached trailer in a safe location before riding on roads.
- Secure all cargo before riding. Take care that all straps are tied down and any loose items are secured.
- Avoid braking abruptly and making sharp turns.

## What's Included

- Tail Hitch x 1
- Frame Protection Plate x 2
- M6 x 20 mm Bolt x 4
- M6 Washer x 8
- M6 Nylon Nut x 4



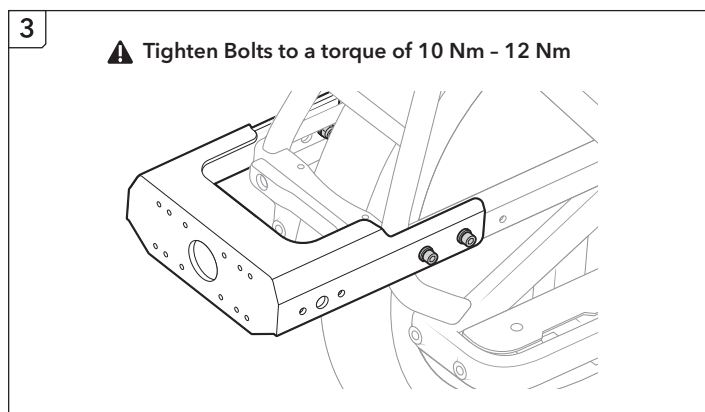
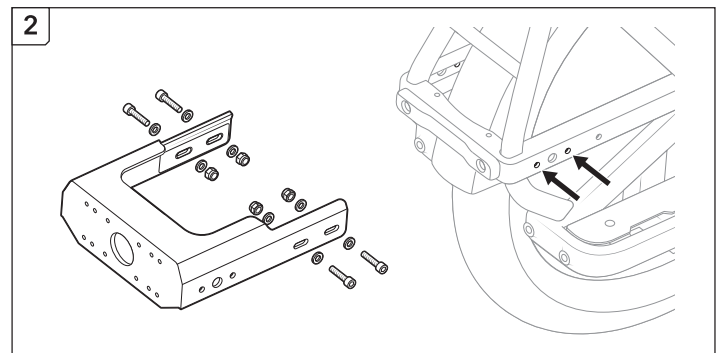
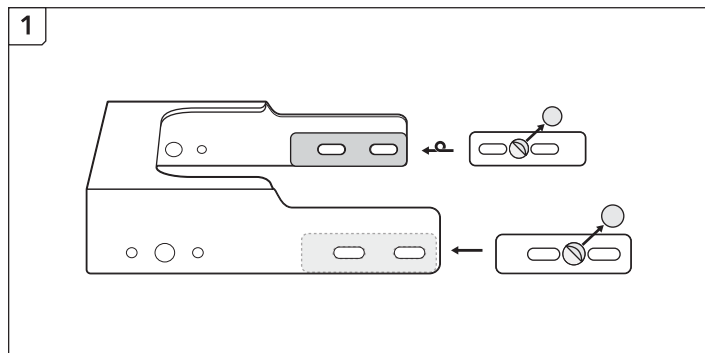
### Tools Required (not included)

- 5 mm Allen Wrench
- 10 mm Offset Box-End Wrench



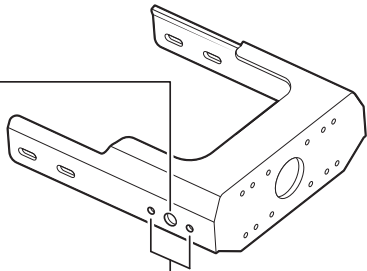
## Installation

**⚠** Lubricants reduce friction and prevent thread galling. We suggest adding anti-seize lubricant to the tip of the Bolts before tightening the Nuts . Use a standard lubricant if anti-seize lubricant is not available.

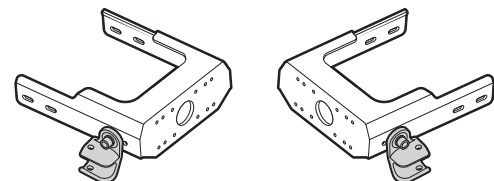


## Trailer Hitch Mounting Holes

- Thule® Axle Mount
- Burley® Steel Hitch



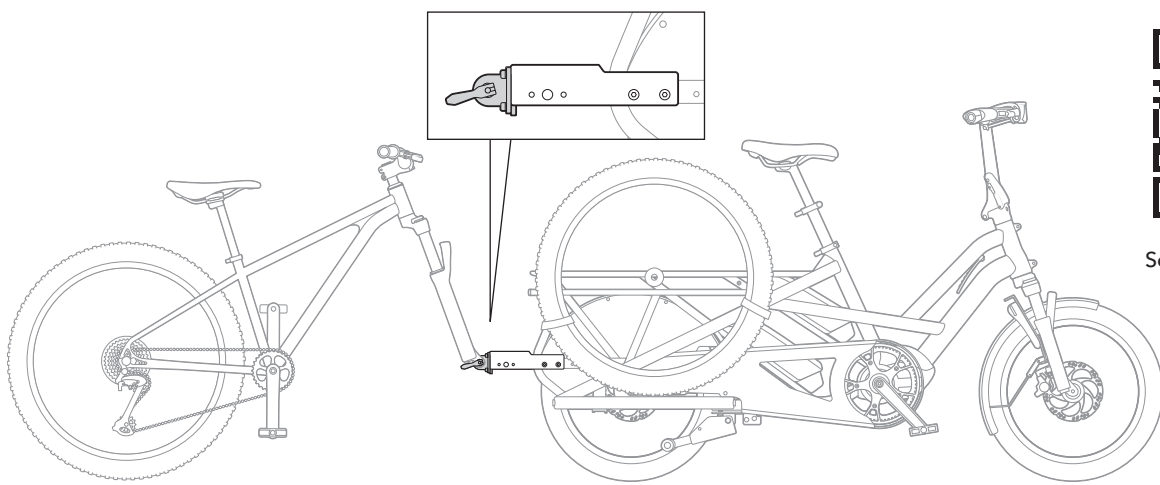
- Weber® EH Clutch




⚠ Please follow the trailer manufacturer's instructions to safely install the trailer hitch onto the Tail Hitch L.

## Bike Tow Kit *Additional Accessory (Sold Separately)*

Attach the Bike Tow Kit to bring an extra bike along for the ride.





Scan to view product

**LIMITED PRODUCT WARRANTY INFORMATION:** This Product comes with a ONE (1) YEAR Limited Warranty from the date of retail purchase by the original end-user. If a material or workmanship defect arises and a valid claim is received within the Warranty Period, this Product will be replaced. Mobility Holdings cannot be held liable for damages to personal property due to misuse or improper care and maintenance. This Product Warranty does not, under any circumstance, cover the replacement or cost of any third party product used with or connected to the Product.

Tern, the Tern Werd (logotype), the Tern Berd (device), Tail Hitch L, and Bike Tow Kit, used alone or in combination are trade names, trade devices, or registered trademarks of Mobility Holdings, Ltd.

Trademarks are the property of their respective owners.

© 2024. Tern is a trademark of Mobility Holdings, Ltd. All Rights Reserved.

   @ternbicycles

ternbicycles.com