

## Manual Version 01

Make sure you have all the latest information needed to use and enjoy this product!

Visit [ternbicycles.com/support](http://ternbicycles.com/support) for updated:



MANUALS COMPATIBILITY ARTICLES VIDEOS & MORE



## Max Towing Capacity

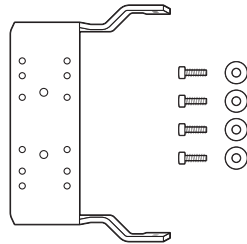
**⚠** When used with an unbraked Trailer, Trailer & load should not exceed the max towing capacity of 60 kg (132 lbs).

## Safety

- Do not exceed your bike's Max Gross Vehicle Weight (the maximum weight that a bike has been designed to safely carry). The combined weight of Bicycle + Accessories + Rider and Passenger(s) + all Cargo + Trailer (with no braking system) must be LESS than the MGWV for safe riding.
- **Some Trailers are intended to be used strictly for carrying Passengers or Pets on paved roads, while others may be Cargo Trailers designed for more rugged terrains.** Follow your Trailer manufacturer's instructions on intended use and exercise good judgment on your riding condition to ensure safety.
- Check to ensure Trailer has been correctly installed and securely fastened before riding.
- Always remember that towing a Trailer places increased loads on the the bike's brakes, engine, and steering, and can alter its performance and handling. Please make sure to practice riding with the attached Trailer in a safe location before riding on roads.
- Secure all cargo before riding. Take care that all straps are tied down and any loose items are secured.
- Avoid braking abruptly and making sharp turns.

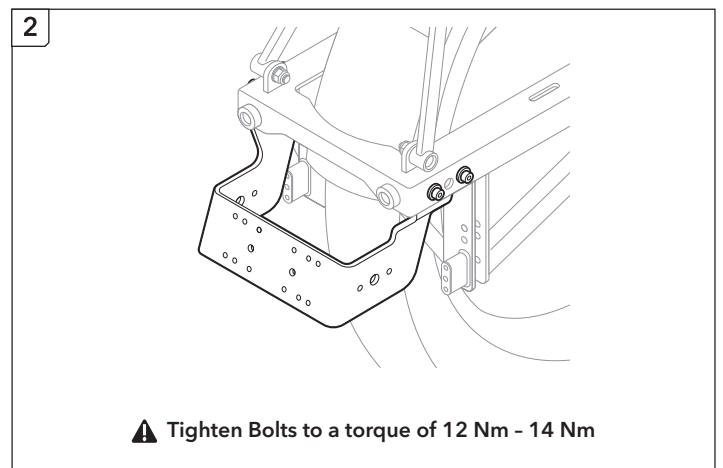
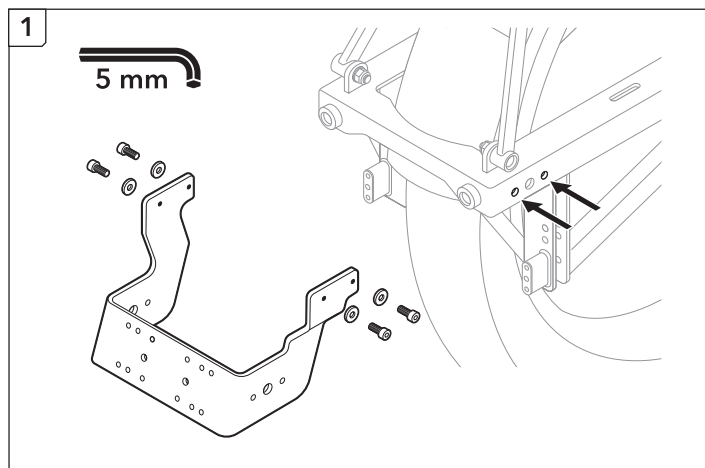
## What's Included

- Tail Hitch XL x 1
- M6 x 16 mm Bolt x 4
- M6 Washer x 4

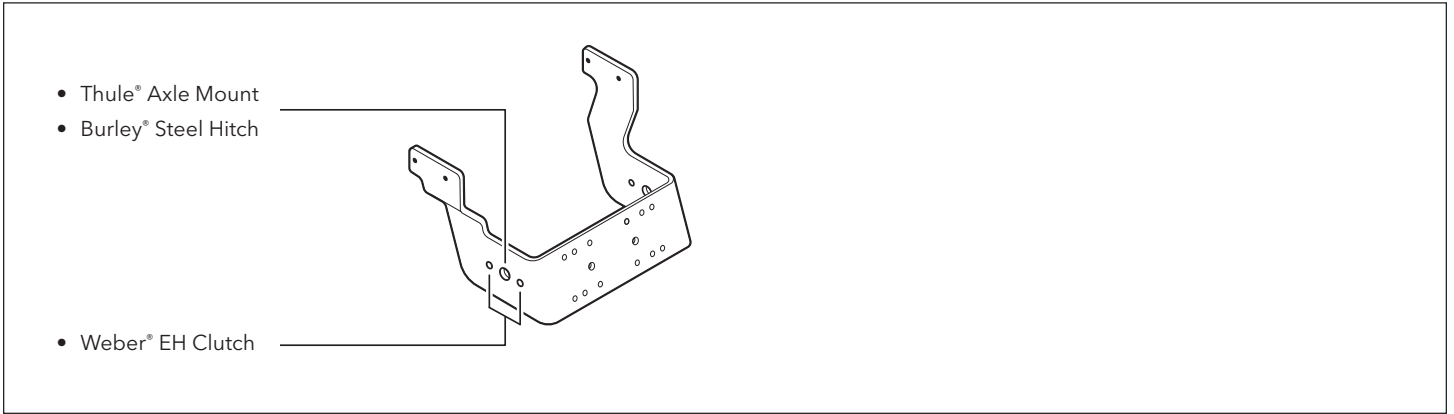


### Tools Required (not included)

- 5 mm Allen Wrench

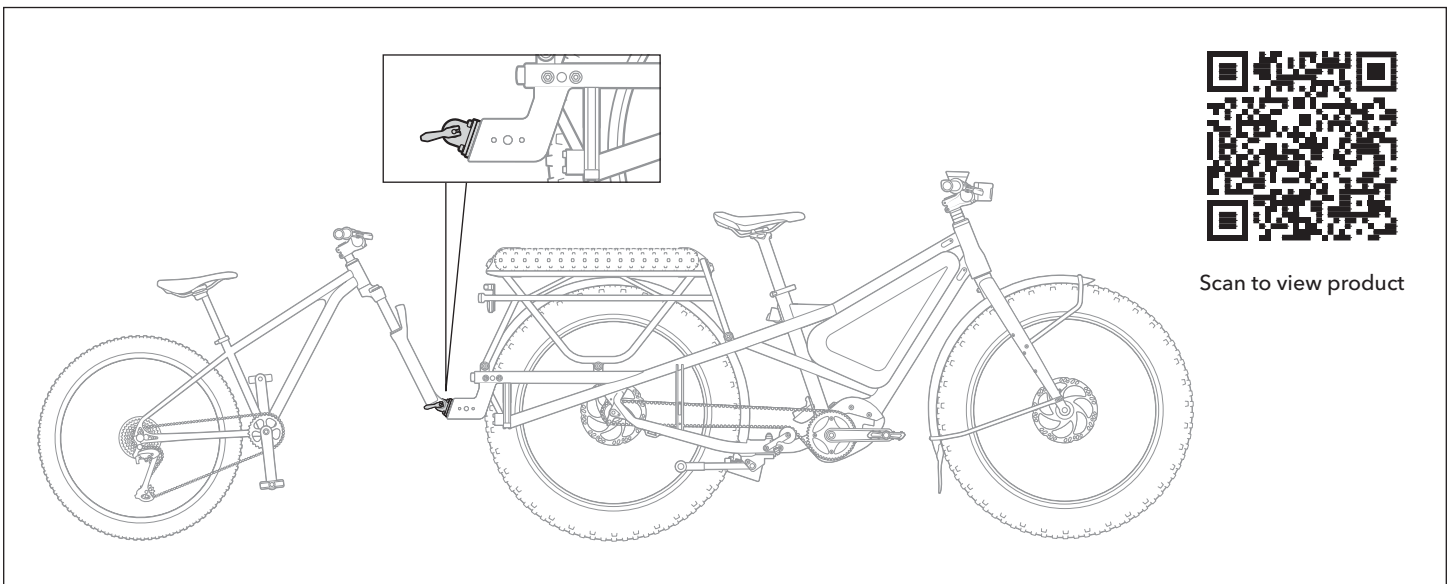


## Trailer Hitch Mounting Holes



## Bike Tow Kit *Additional Accessory (Sold Separately)*

Attach the Bike Tow Kit to the Tail Hitch XL to bring an extra bike along for the ride.



**⚠ Bike Tow Kit is designed for towing riderless bikes on paved roads only.**  
Do not use for off-road purposes, even if your bike is designed to handle rugged terrains.

LIMITED PRODUCT WARRANTY INFORMATION: This Product comes with a ONE (1) YEAR Limited Warranty from the date of retail purchase by the original end-user. If a material or workmanship defect arises and a valid claim is received within the Warranty Period, this Product will be replaced. Mobility Holdings cannot be held liable for damages to personal property due to misuse or improper care and maintenance. This Product Warranty does not, under any circumstance, cover the replacement or cost of any third party product used with or connected to the Product.

Tern, the Tern Werd (logotype), the Tern Berd (device), Tail Hitch XL, and Bike Tow Kit used alone or in combination are trade names, trade devices, or registered trademarks of Mobility Holdings, Ltd.

@ternbicycles

[ternbicycles.com](http://ternbicycles.com)