

## Manual Version 01

Make sure you have all the latest information needed to use and enjoy this product!

Visit [ternbicycles.com/support](http://ternbicycles.com/support) for updated:



MANUALS COMPATIBILITY ARTICLES VIDEOS & MORE

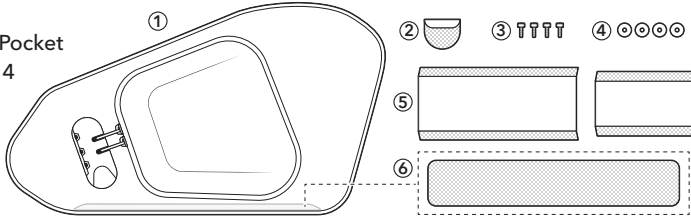


## Specifications

- Total Volume: 5 liter (305 cu in)

## What's Included

1. Cache Box L
2. Tracking Device Pocket
3. M5 x 12 Screw x 4
4. M5 Washer x 4
5. Divider x 2
6. Cover

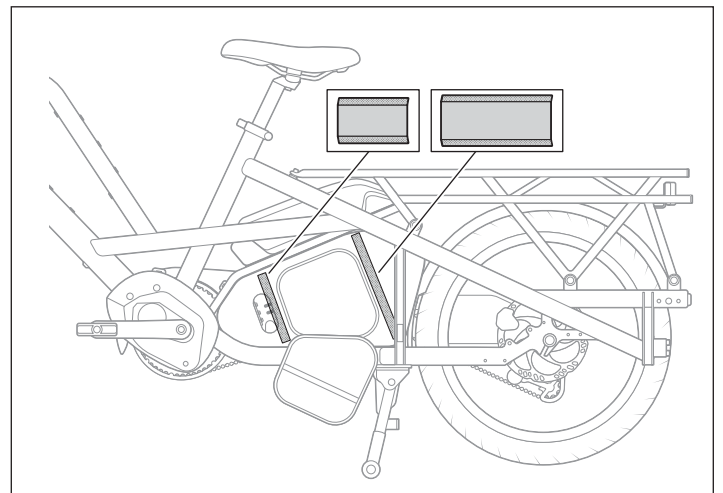
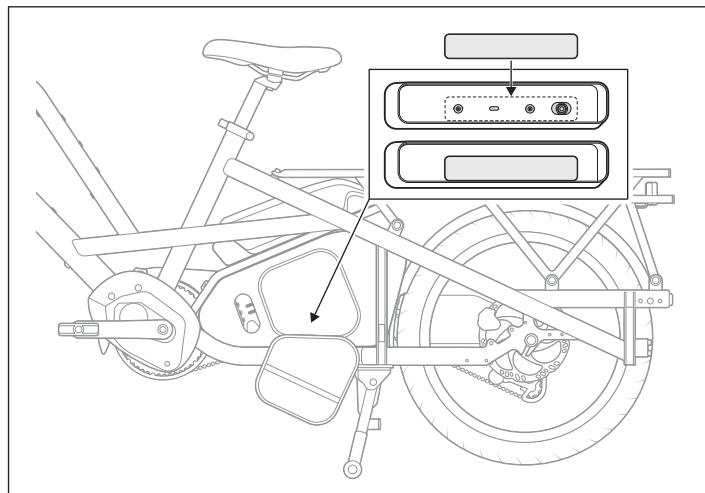
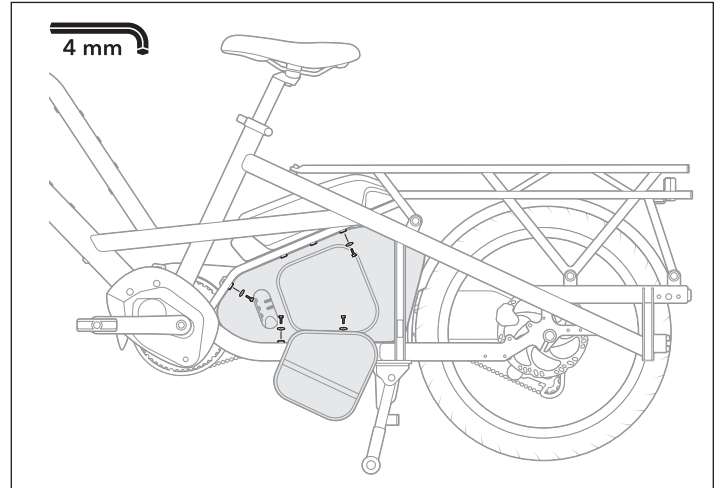
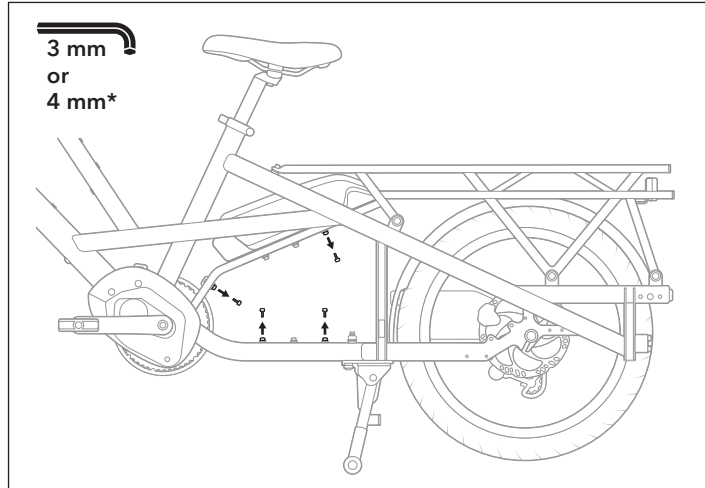


## Tools Required (Not Included)

- 3 mm Allen Wrench\*
- 4 mm Allen Wrench

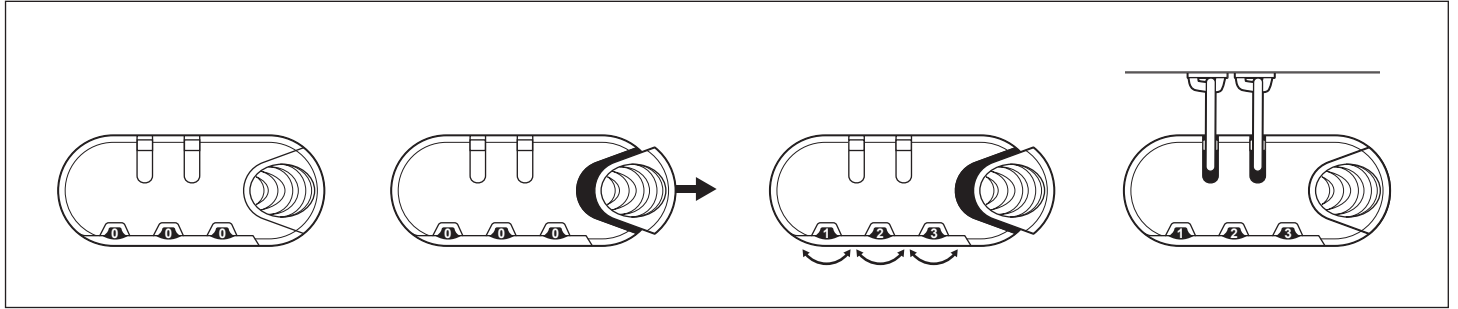
\* May be required to remove mounting screws from your bike, depending on its model

## Installation



## How to Set Your Own Combination for Integrated Lock

1. Turn Dials to the factory-set default combination of 0-0-0
2. Pull Tab all the way out and hold. Meanwhile, turn Dials to set your desired 3-number combination
3. Once Dials are set to your desired combination, release Tab
4. Setting is now complete. Use your own combination to open Lock



## Safety

- ⚠ Please take care not to overstuff the Cache Box L, as this may cause the sides of the Box to come into contact with the Chain or Crank Arm and lead to premature wear.
- ⚠ Record your Lock combination and keep it in a safe place for future reference.
- ⚠ We recommend removing all valuable items from the Box before leaving the parked bike.

LIMITED PRODUCT WARRANTY INFORMATION: This Product comes with a ONE (1) YEAR Limited Warranty from the date of retail purchase by the original end-user. If a material or workmanship defect arises and a valid claim is received within the Warranty Period, this Product will be replaced. Mobility Holdings cannot be held liable for damages to personal property due to misuse or improper care and maintenance. This Product Warranty does not, under any circumstance, cover the replacement or cost of any third party product used with or connected to the Product.

Tern, the Tern Werd (logotype), the Tern Berd (device), and Cache Box L used alone or in combination are trade names, trade devices, or registered trademarks of Mobility Holdings, Ltd. Trademarks are the property of their respective owners.

© 2024. Tern is a trademark of Mobility Holdings, Ltd. All Rights Reserved.

   @ternbicycles

[ternbicycles.com](https://ternbicycles.com)