

Cargo Hold 37 Panniers™

Manual Version 01

Make sure you have all the latest information needed to use and enjoy this product!

Visit ternbicycles.com/support for updated:



MANUALS



COMPATIBILITY



ARTICLES



VIDEOS



& MORE



Volume

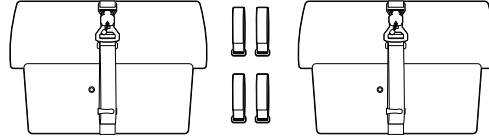
- 37 L (2,258 cu in) carrying capacity per pannier

Weight Capacity

- 12 kg (26 lb) max load per pannier

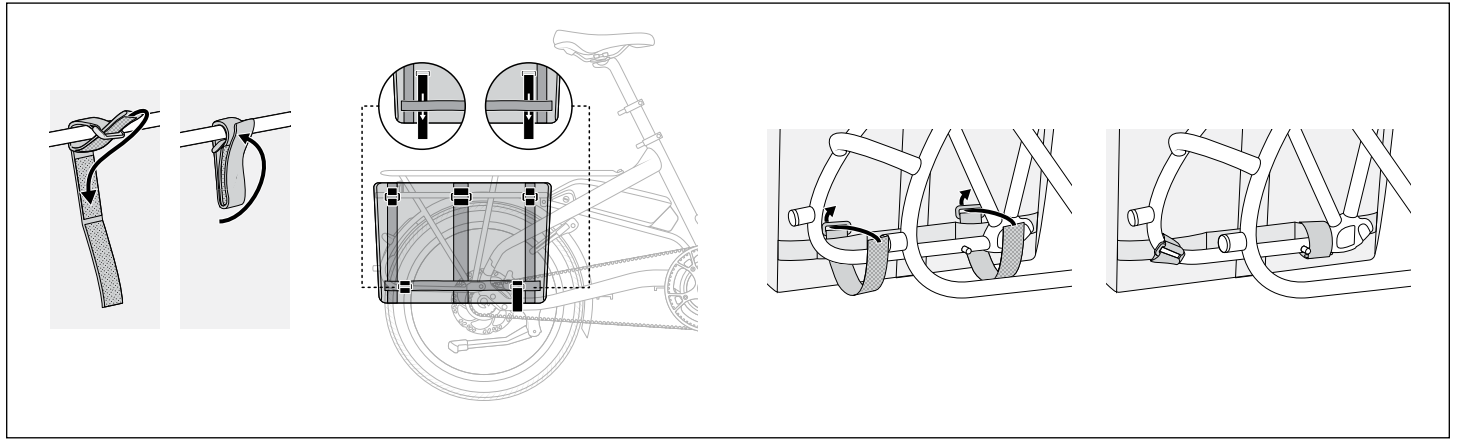
What's Included

- Cargo Hold 37 Pannier x 2
- Self-fastening Strap 25.4 x 215 mm (1" x 8.5") x 4



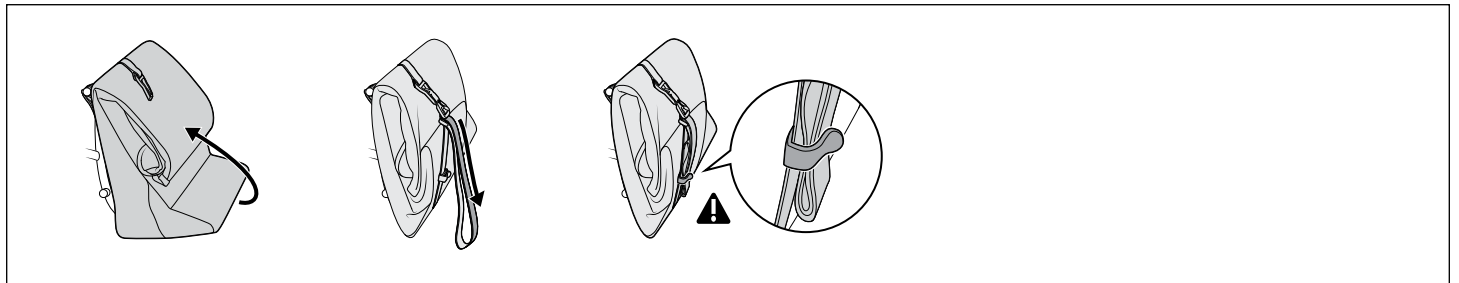
Installation

- ⚠ Ensure placement of the Self-fastening Straps does not interfere with brake rotors, cables, chain, belt, and/or cassettes.



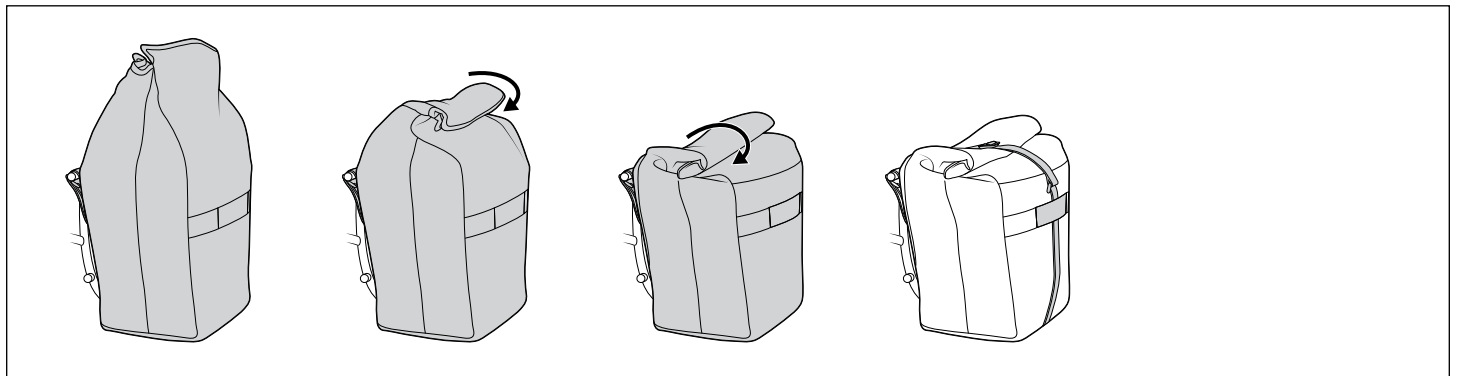
Flat Fold

- Keeps Panniers folded flat against the bike when not in use.



Roll-Top Closure

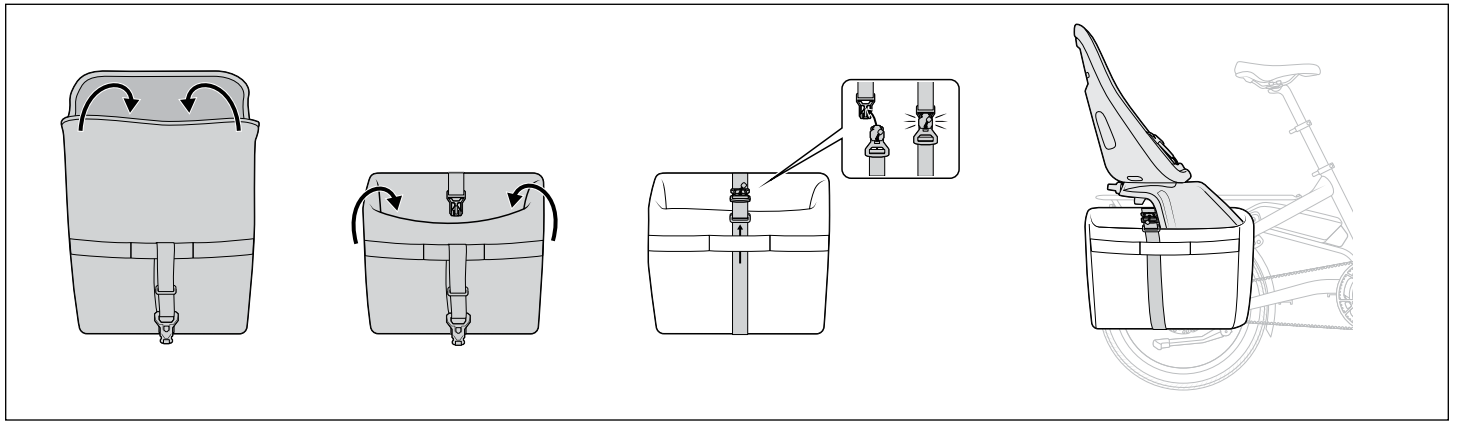
- Keeps your stuff safely enclosed and dry on the road.



Cargo Hold 37 Panniers™

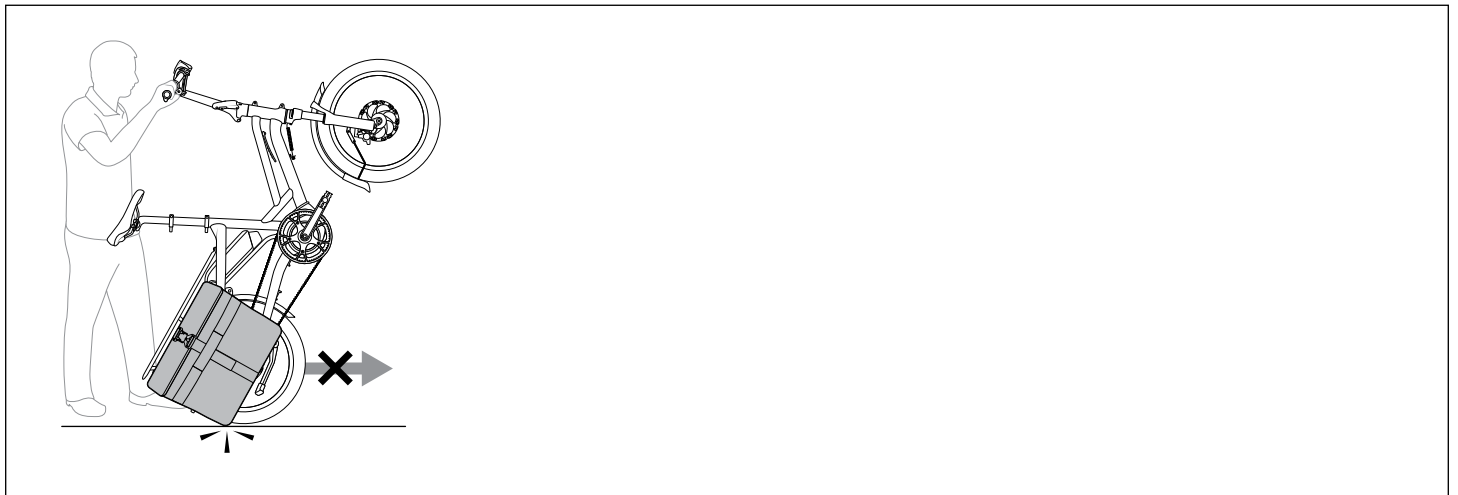
Bucket Mode

- Allows Panniers to be used with a child seat.
- Recommended for carrying oversized cargo, and for easy-access to your stuff when weather protection is not needed.



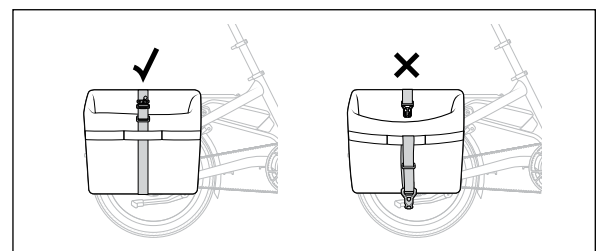
Rolling into Vertical Parking Position

- ⚠ Please take care when rolling the bike into vertical parking position, as the Panniers may come into contact with the ground. Scratching and damage may occur.



Important Notes

- Load Panniers so that weight is distributed evenly on both sides of the bike.
- Bike may behave differently when Panniers are loaded.
- Tighten Straps for a more stable riding experience.
- Panniers with untightened Straps may come into contact with ground when cornering and be damaged.
- Ensure all Buckles are securely fastened before riding. Loose Buckles may drag on the ground and lead to accidents.
- Check by tugging on Straps. Buckles should not come unlatched.



LIMITED PRODUCT WARRANTY INFORMATION: This Product comes with a ONE (1) YEAR Limited Warranty from the date of retail purchase by the original end-user. If a material or workmanship defect arises and a valid claim is received within the Warranty Period, this Product will be replaced. Mobility Holdings cannot be held liable for damages to personal property due to misuse or improper care and maintenance. This Product Warranty does not, under any circumstance, cover the replacement or cost of any third party product used with or connected to the Product.

Tern, the Tern Werd (logotype), the Tern Berd (device), and Cargo Hold 37 Panniers used alone or in combination are trade names, trade devices, or registered trademarks of Mobility Holdings, Ltd.

© 2024. Tern is a trademark of Mobility Holdings, Ltd. All Rights Reserved.

   @ternbicycles

ternbicycles.com