

Tern Rapid Transit Rack

Rapid Transit Rack

Specifications

Cargo load capacity: 25kg (55.1 lb)

Compatibility

Fits most Tern Link, Verge and Vektron models. Trolley Handle not compatible with certain models.

Depending on your model and configuration, some parts may need to be removed or modified, such as:

- Rear Fender Stays (replaced with Fender Hanger)
- Front and Rear Magnetix (may require removal)
- Rear mudguard spoiler (may require trimming)

For full bike compatibility info, visit ternbicycles.com/rapidtransitrack

Tools required for installation (not included):

- 4 mm Allen Key with Ball End (for Rack Screws, Rack Stays, Pouch Screws)
- 5 mm Allen Key with Ball End (for Side Strut Fix Point)

Optional tools (not included):

- 6 mm Allen Key (for adjusting Trolley Wheel height)
- 8 mm Wrench (for installing Fender Hanger Nut)
- Pliers (for bending Fender Hanger)
- C-Retainer Ring Plier (for removing Magnetix)

Included in the package

A. Rack Kit with SideStrap™ and Secure Fold Strap

- Screw Sets X 4 (15 mm M5 Screw x 4, M5 Washer X 4)

B. Trolley Wheel Washers (for Height Adjustment)

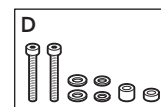
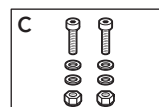
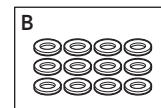
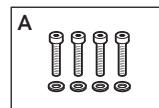
- M8 Washer X 12

C. Fender Hanger Kit

- Bolt Sets X 2 (10 mm M5 Bolt X 2, M5 Washer X 4, M5 Nylock Nut X 2)

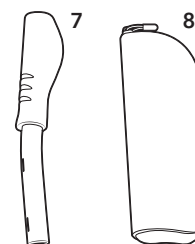
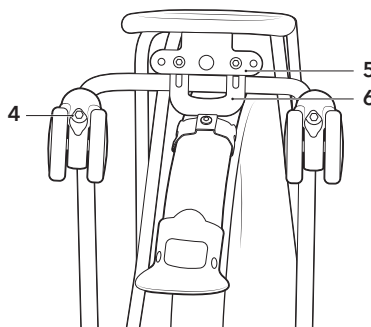
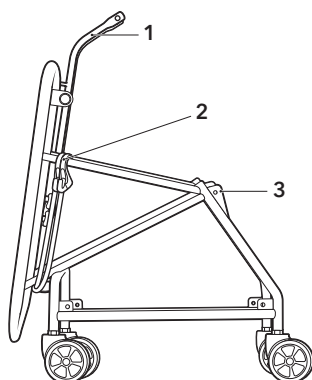
D. Handle, Cover, & Pouch Kit

- 25 mm M5 Screw x 2
- 12 mm M5 Washer x 2
- 10 mm M5 Washer x 2
- 10 mm Spacer x 1
- 5 mm Spacer x 1



Parts

1. Front Stay
2. SideStrap
3. Side Strut Fix Point
4. Trolley Wheel Nut
5. Rack Light Mount
6. Fender Hanger
7. Trolley Grip
8. Cover and Pouch

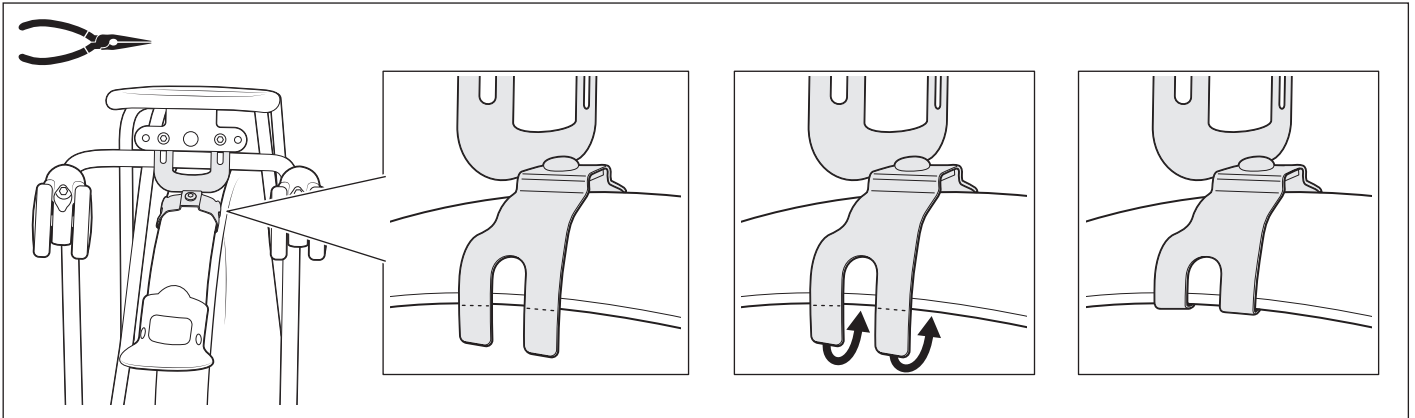


Mounting onto your Bike

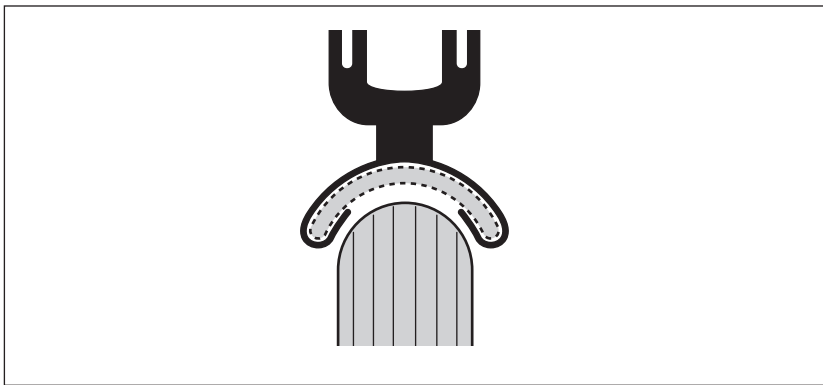
Fender Hanger Installation

- Begin with this step if your bike is equipped with fenders.
- Skip this step if your bike is not equipped with fenders.

If your bike is equipped with fenders, the rear fender stays will be replaced by the Fender Hanger.



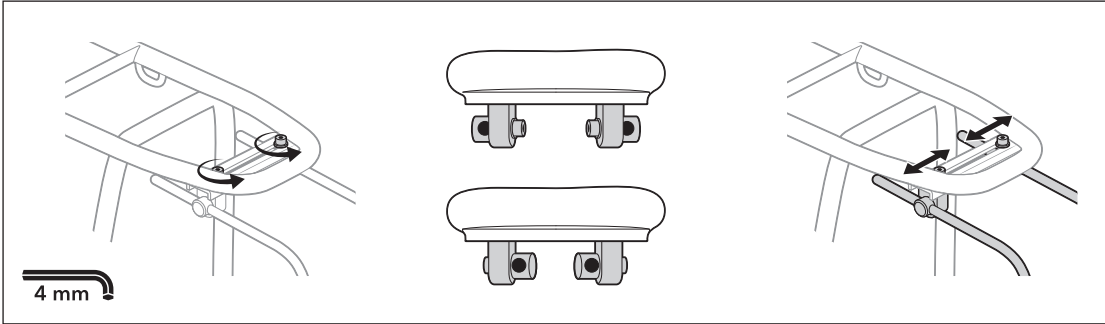
1. Place hanger on the fender and mark the bend line.
2. Bend the hanger with pliers.
3. The Hanger should hold onto the fender firmly without deforming the fender.



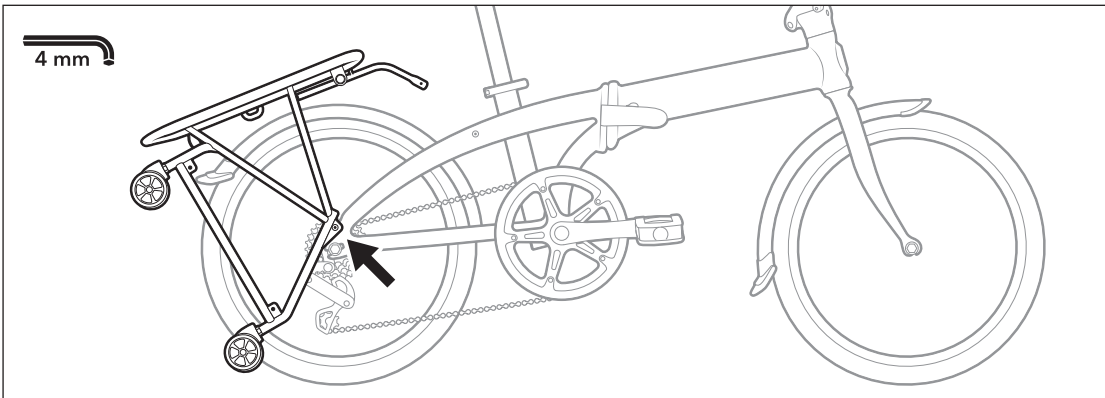
⚠ Bend the Hanger so that its parts under the fender do not rub against the wheel.

Rack Installation

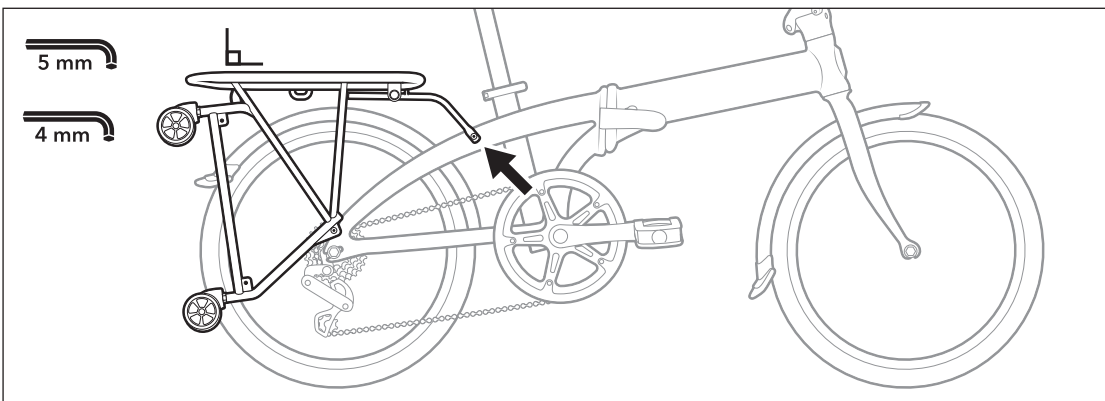
Note: To better fit the location of the Frame Upper Bosses on different Tern bikes, mount the Front Stays either on the outside or inside of the Front Stay Fix Points.



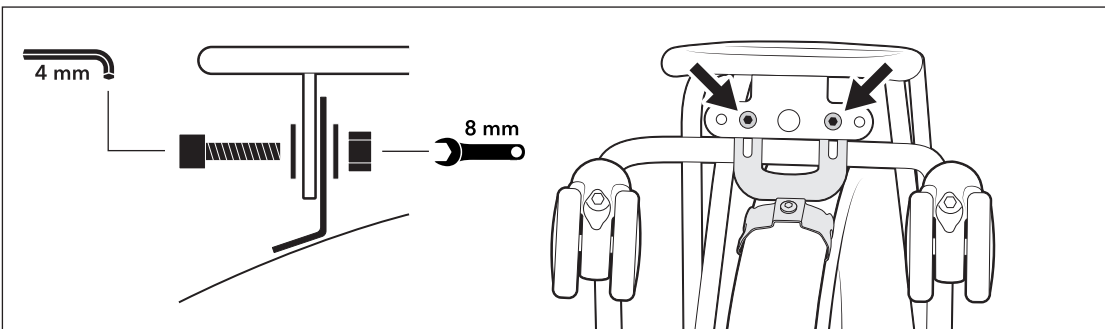
1. Loosen the Top Deck Front Stay Fix Point Screws and rotate the Front Stay Fix Points to change the side on which the Front Stays are mounted. Choose the configuration that better fits your bike.
2. Set the Front Stay at the approximate required width. Tighten partially to allow for final adjustment.



3. Fix the Lower Mount to the Dropout Eyelets. Tighten partially to allow for final adjustment.

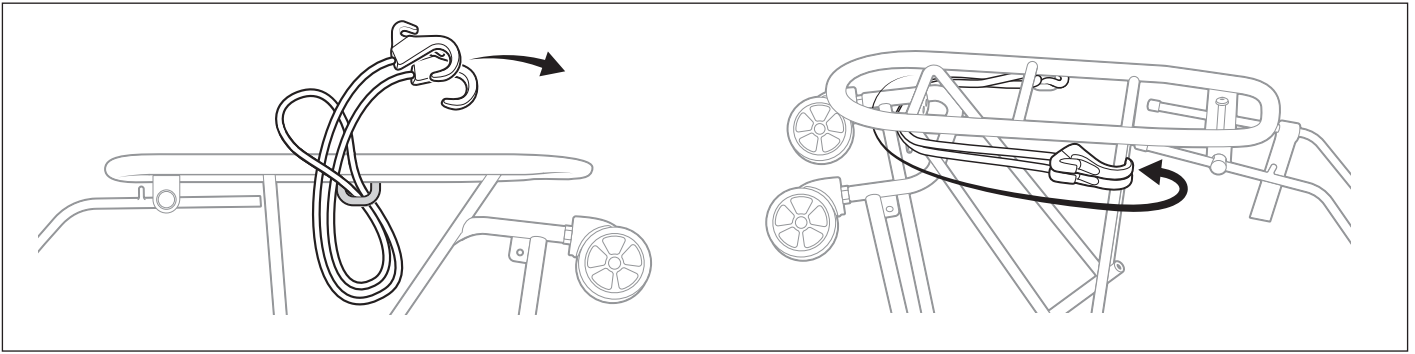


4. Fix the Front Stays to the Frame Upper bosses. Tighten partially to allow for final adjustment.
5. Level the rack and tighten all Mounting Screws (4 Nm).



6. If your bike is equipped with fenders, install the Fender Hanger onto the Rack Light Mount.

SideStrap Installation



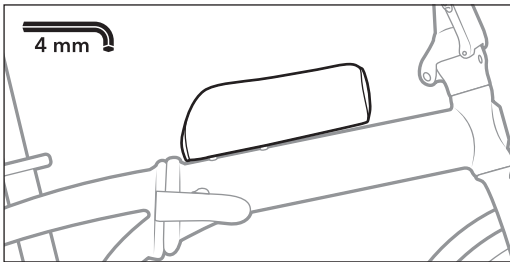
1. Fold the Strap in half, thread it through the Top Deck Strap Loop and pass the Hook Ends through the loop to fix the Strap to the Top Deck
2. Wrap the Strap around the back of the Deck and fix the Hook Ends on the Main Stay.

Internal Cable Routing

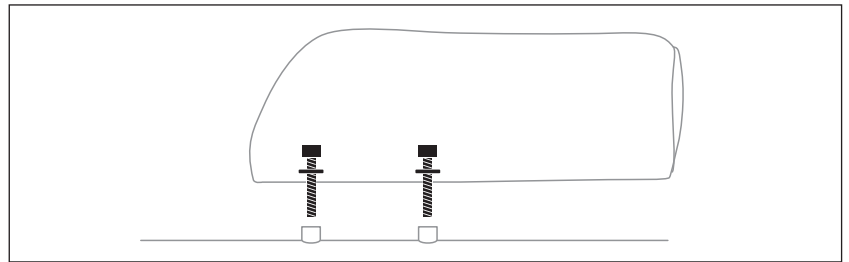
If your bike uses wired rear light, route cable inside the left Side Strut (as seen from the back).

Pouch and Trolley Grip Installation

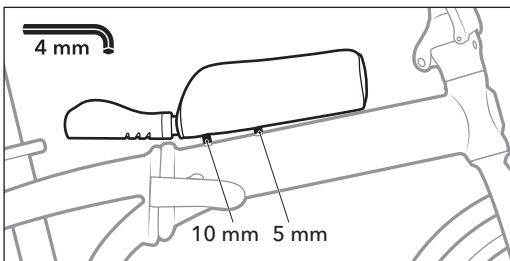
Install the parts as shown below. Trolley handle is optional and does not fit all models, such as the Vektron.



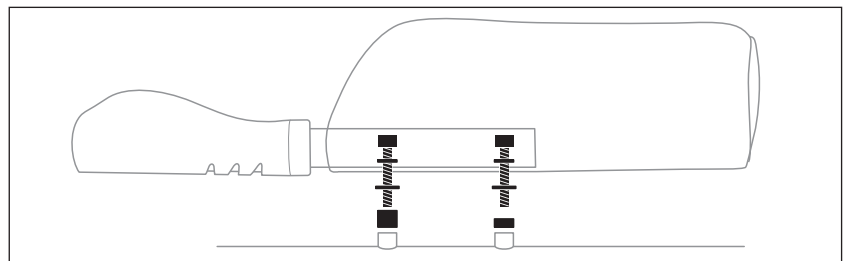
Pouch-only installation.



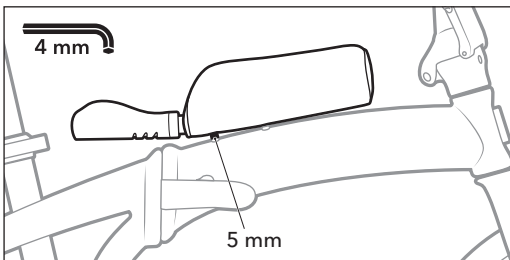
Use 12 mm washers inside.



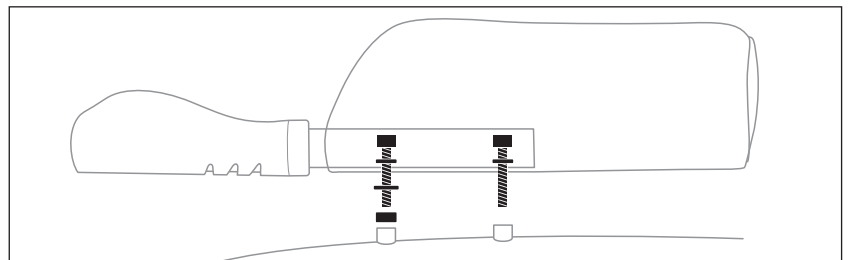
For **Link** models, use the 10 mm and 5 mm Spacers.



Use 10 mm washers inside and 12 mm washers outside.



For **Verge** models, use a 5 mm Spacer.

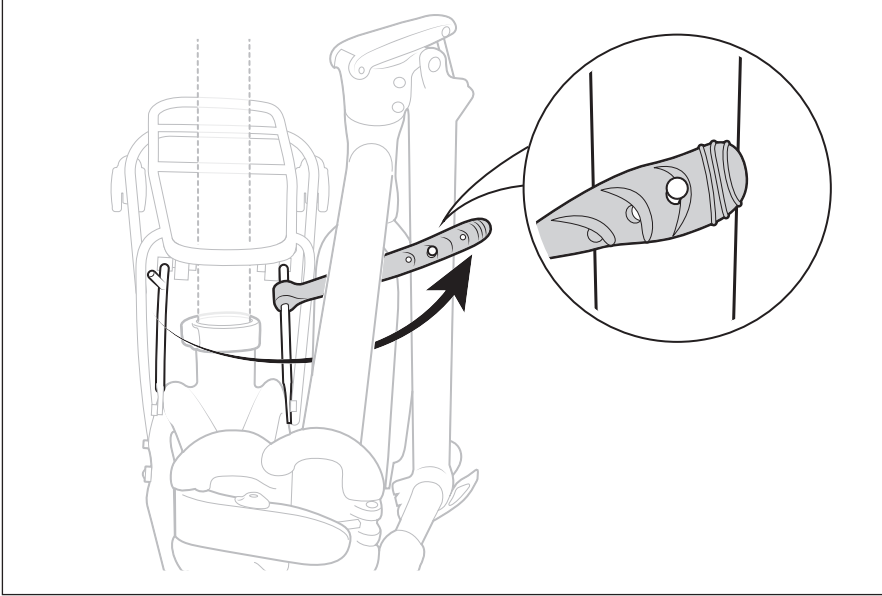


Use 10 mm washers inside and a 12 mm washer outside.

Folding

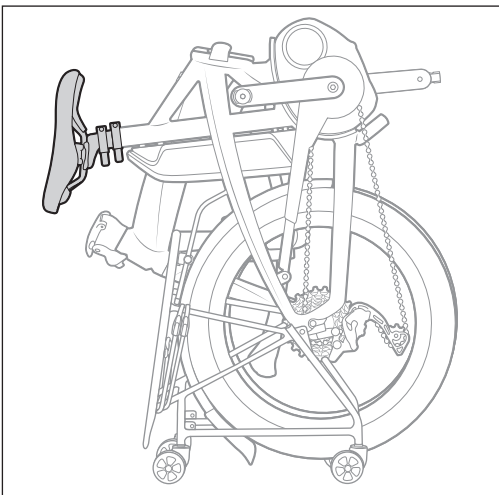
Using the Secure Fold Strap

Your bike folds the same way as it did before.



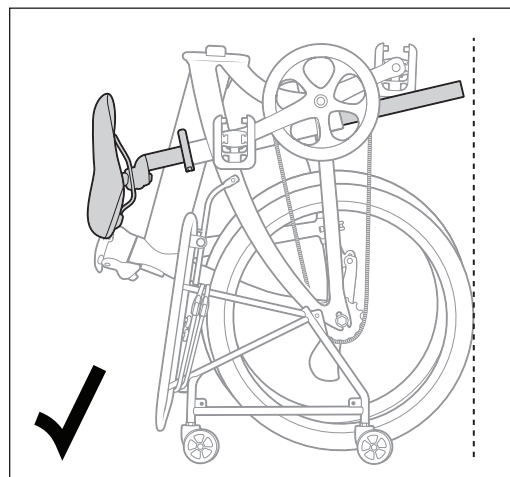
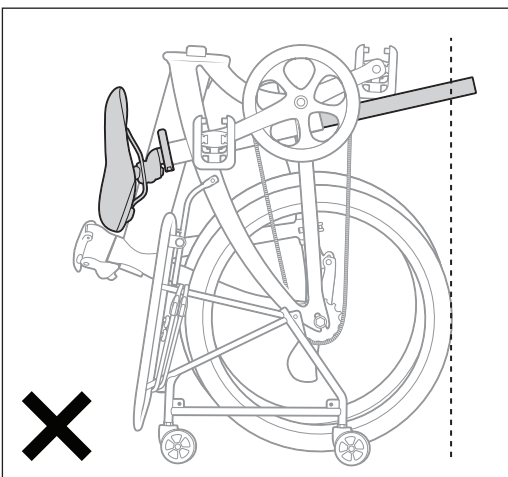
Use the Secure Fold Strap to keep the bike folded securely by attaching it to the handlepost.

Positioning the Trolley Mode Seatpost



For models with a telescopic seatpost:

Lower the saddle all the way down.



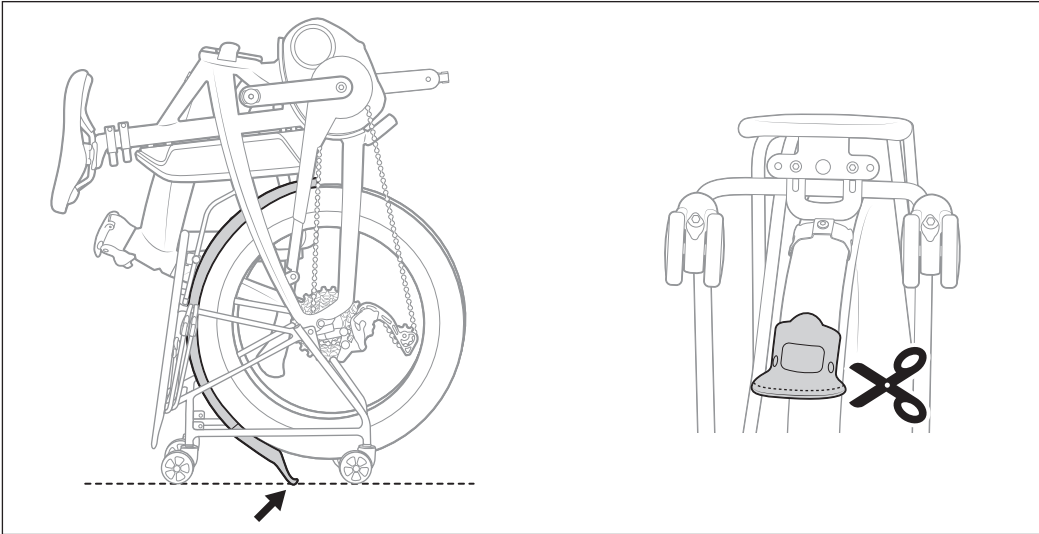
For models with a single seatpost (non-telescopic):

Lower the saddle so that it is adjacent to the handlepost joint. The seatpost should not extend beyond the wheel.

Trolley Mode

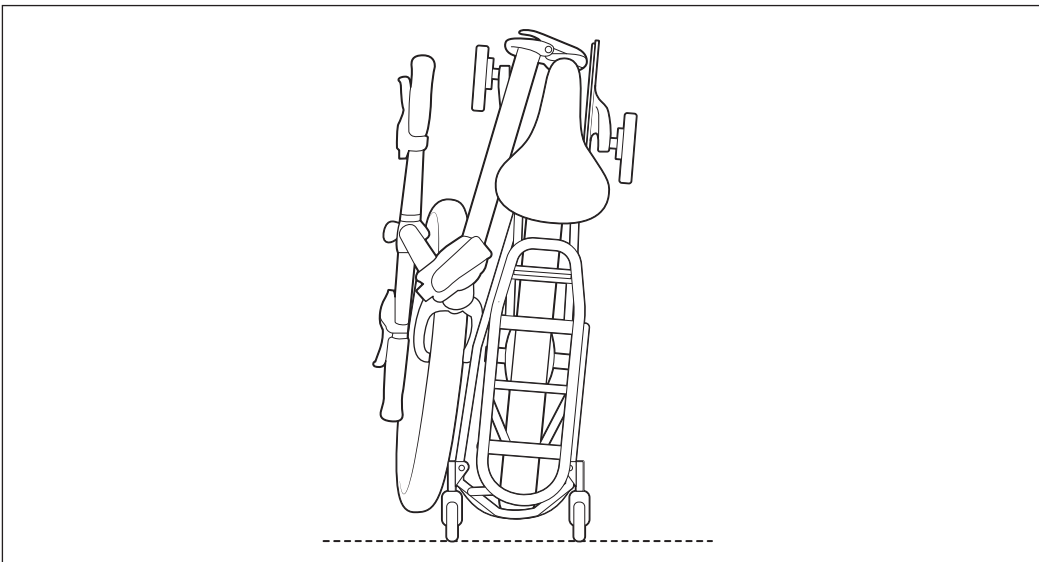
Make sure all four Trolley Wheels contact the ground and that the bike can stand balanced.

Fender Spoiler Adjustment

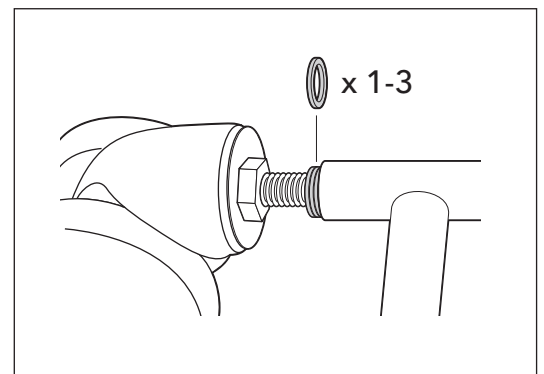
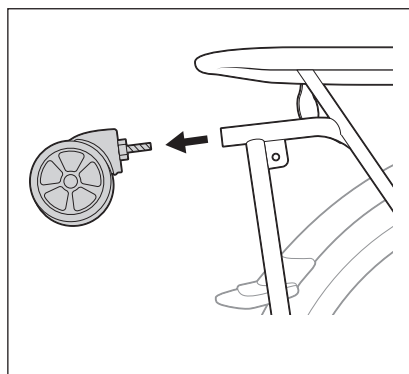
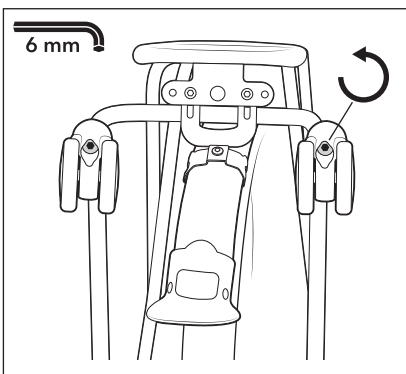


If the fender spoiler contacts the ground, trim the spoiler with a pair of scissors.

Standing Angle Adjustment



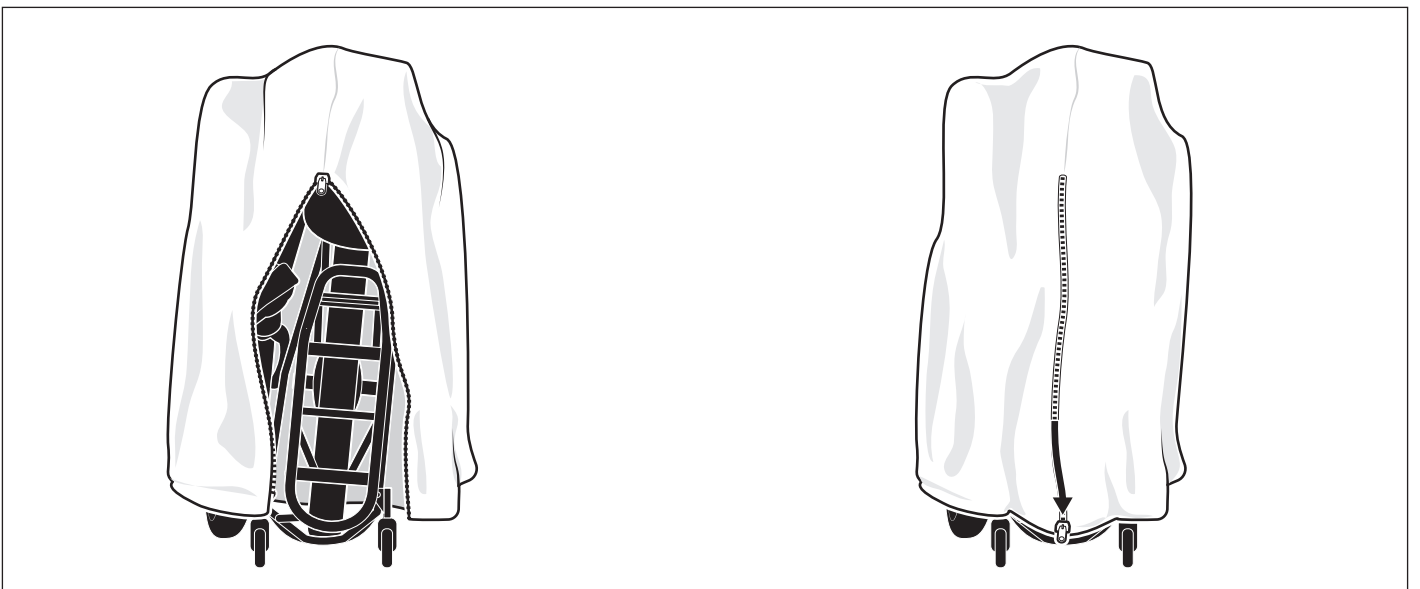
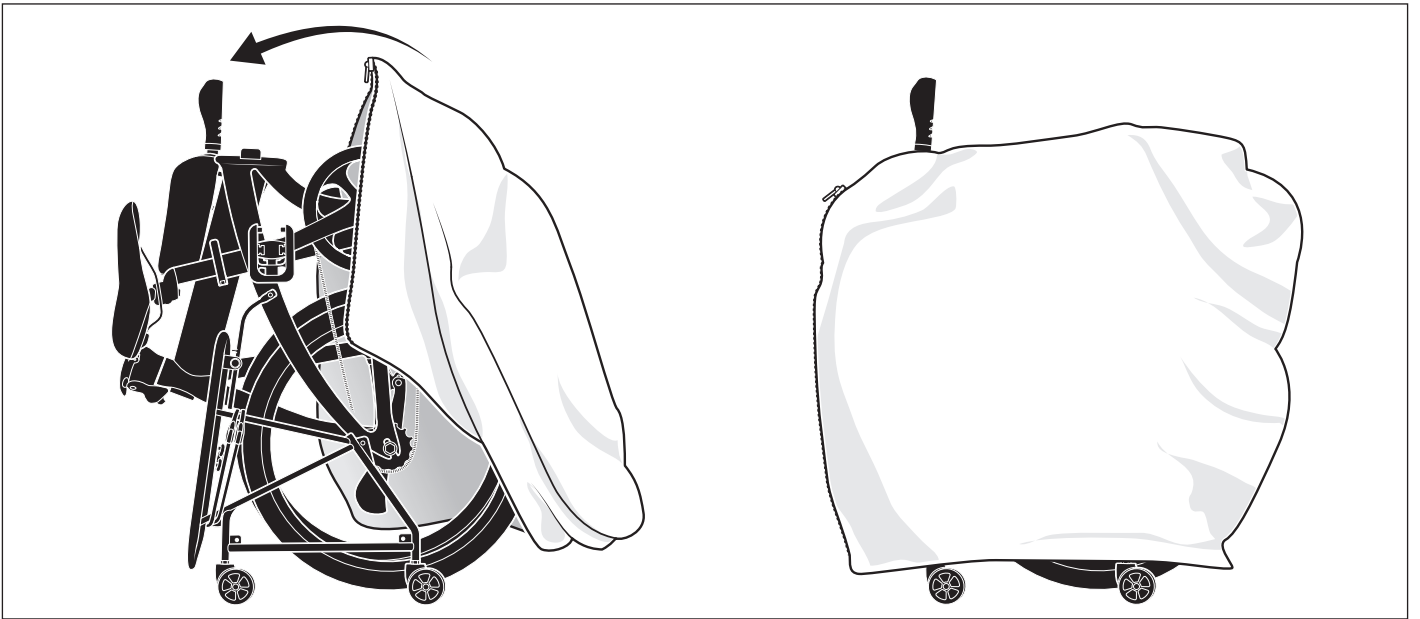
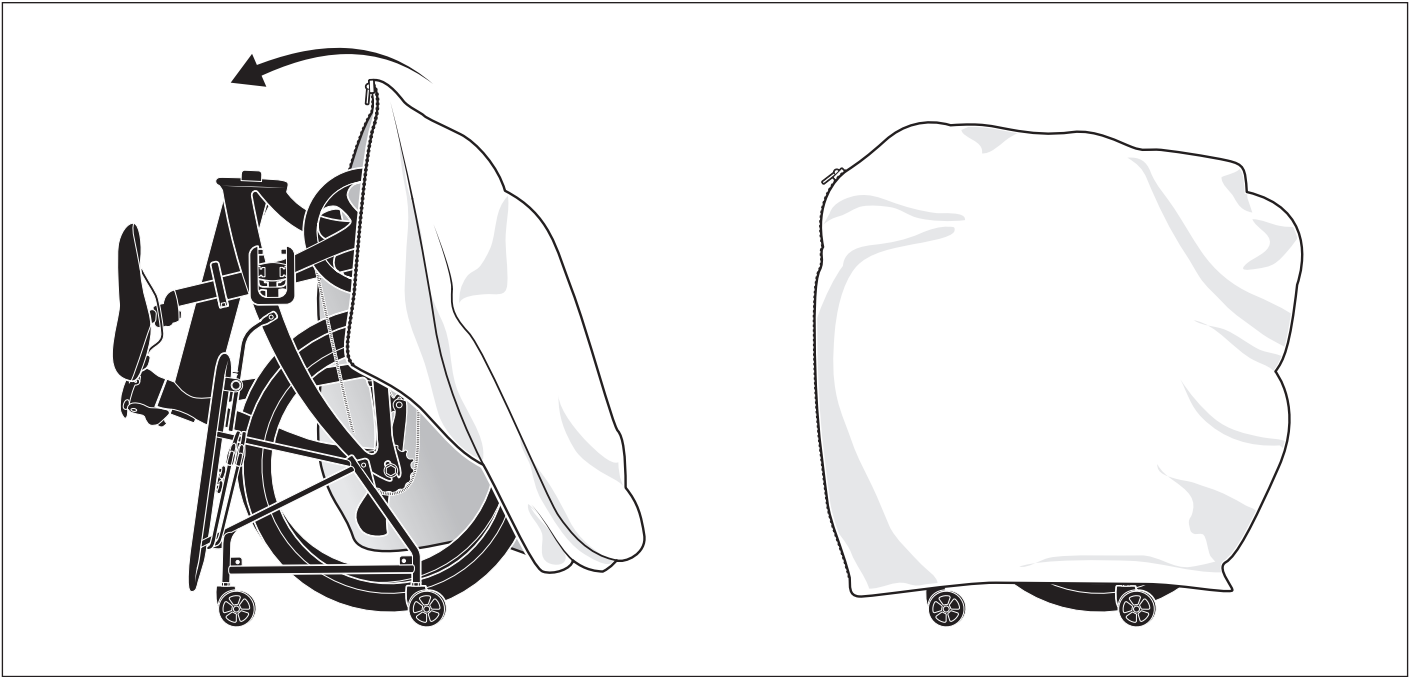
Make sure all four Trolley wheels contact the ground. If all four Trolley Wheels contact the ground and the bike does not balance when being pushed, it is necessary to fine-tune the heights of the Trolley Wheels. The height of each wheel is independently adjustable.



1. Turn Trolley Wheel screw counter-clockwise and remove the wheel assembly.

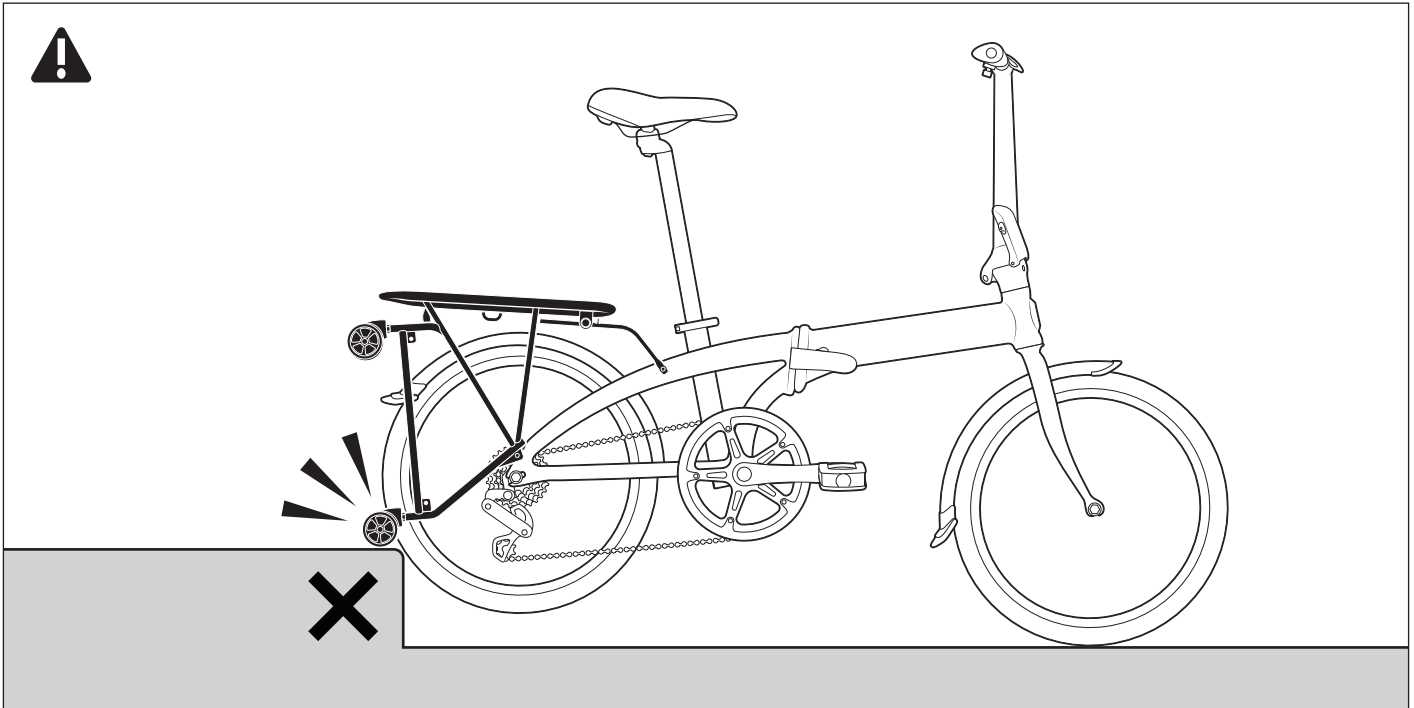
2. Add M8 washers (maximum 3 per wheel) as needed so that the bike is balanced when standing up and when being pushed in trolley mode.

Covering the Bike



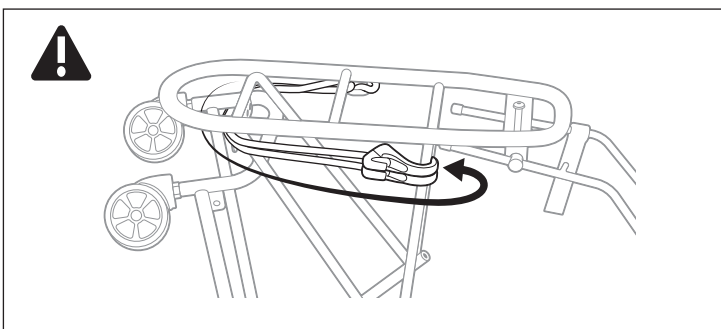
Riding Precautions

Riding Off Curbs



⚠ CAUTION: Be mindful to not ride off curbs. The trolley wheels can catch on the curb and damage the bike or injure the rider.

Strap



⚠ For safety, the SideStrap must be fastened securely at all times to prevent interference with the wheels and drivetrain.

* Tern, the Tern Werd (logotype), and the Tern Berd (device), used alone or in combination are trade names, trade devices or registered trademarks of Mobility Holdings, Ltd.

© 2017 Mobility Holdings, Ltd., all rights reserved.

ternbicycles.com

   Tern Bicycles