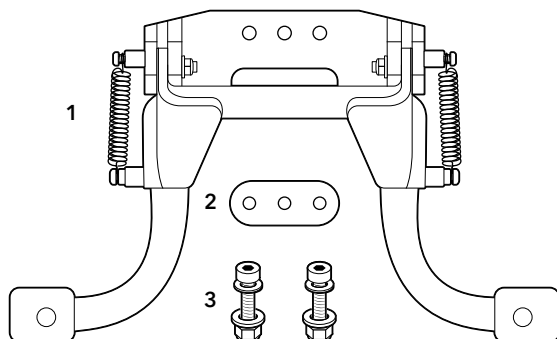


Safety

- ▲ Atlas Kickstand can only be installed on GSD Gen 1 models.
- ▲ Do not exceed load limit of 80 kg (176 lb). Please remember the max load limit includes the weight of the bike.
- ▲ Never leave children or pets on a parked bike unattended.
- ▲ If you are unsure how to install this product, please visit your local dealer.

What's Included

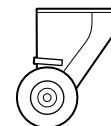
1. Atlas Kickstand
2. Oval Plate
3. Bolt Set x 2
M10 x 45 Bolt
M10 Spring Washer
M10 Washer
M10 Nyloc Nut



Parts Required (Not Included)

Chain Guide Pulley Set

GSD S00 Gen 1 owners can obtain the Chain Guide Pulley Set from their Tern dealer. Please work with your dealer to install the Chain Guide.

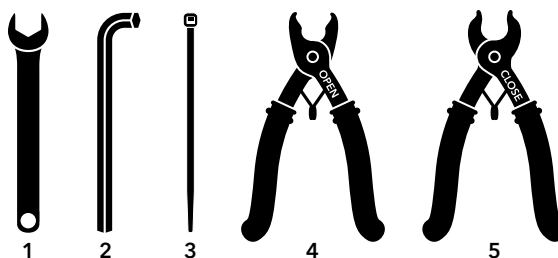


Installation

Tools Required (Not Included)

1. 17 mm Wrench
2. 8 mm Allen Key
3. Zip Tie
4. Chain Link Open Plier*
5. Chain Link Close Plier*

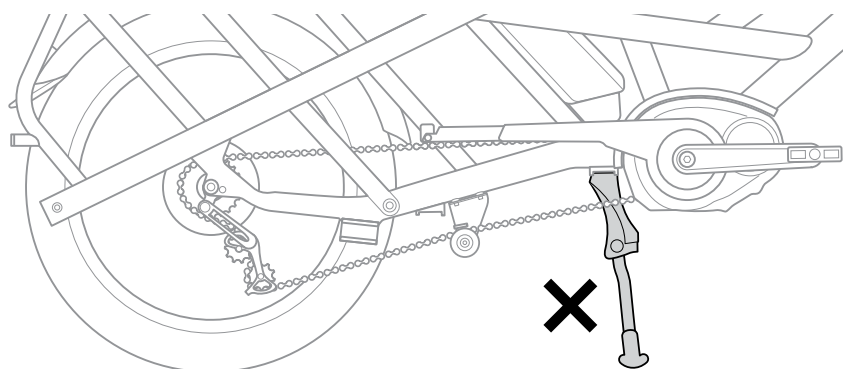
* GSD S00 requires the use of the chain link pliers.



1. Remove your existing kickstand.

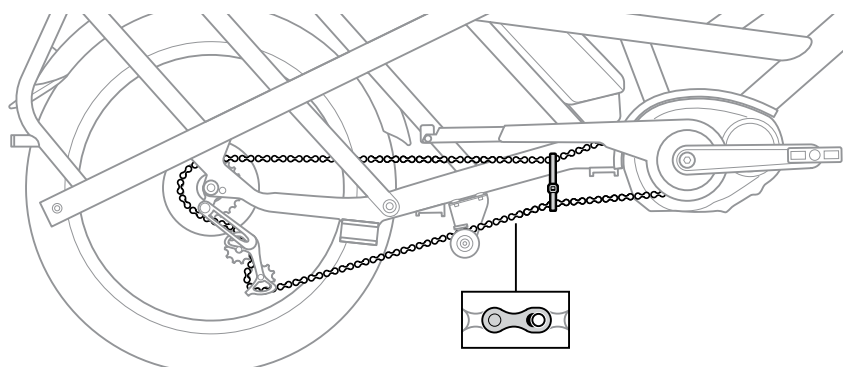
Please visit your dealer if you are unfamiliar with how to remove your kickstand.

2. If you have a GSD S10 (equipped with a derailleur), shift to the smallest cog.

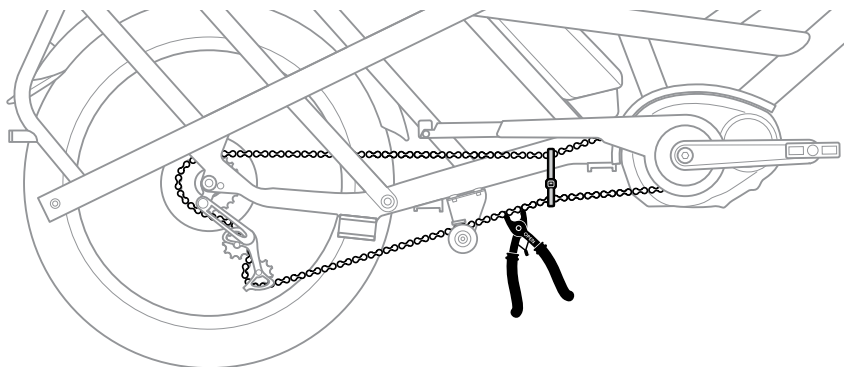
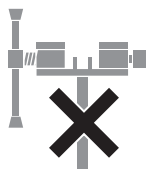


3. Position the Master Link on the chain between the Chain Guide Pulley and Motor.

Attach a zip tie in front of the Master Link to prevent the chain from falling off the chainring.

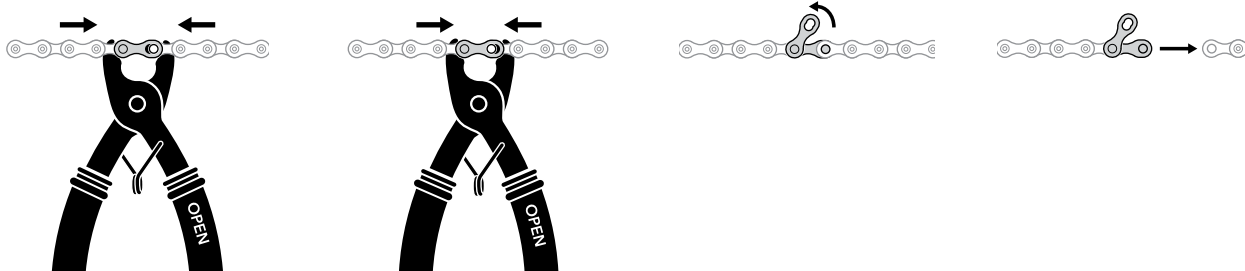


4. Use the Open Plier to open the Master Link outer plate.



⚠ Do NOT use a chain-breaking tool.

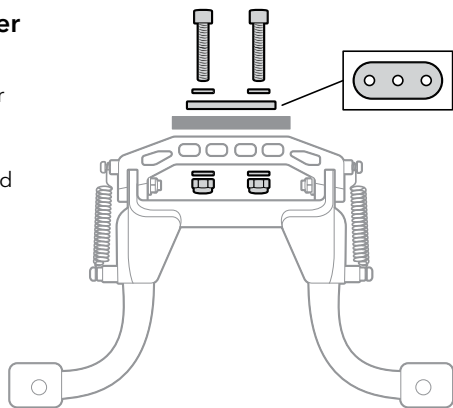
5. Detach and open.



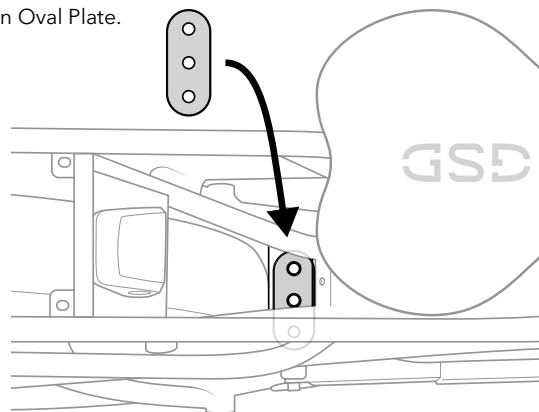
⚠ Add anti-seize lubricant to the tip of the Bolts before securing the Nuts. If anti-seize lubricant is not available, apply any standard lubricant to reduce friction and prevent thread galling.

Assembly Order

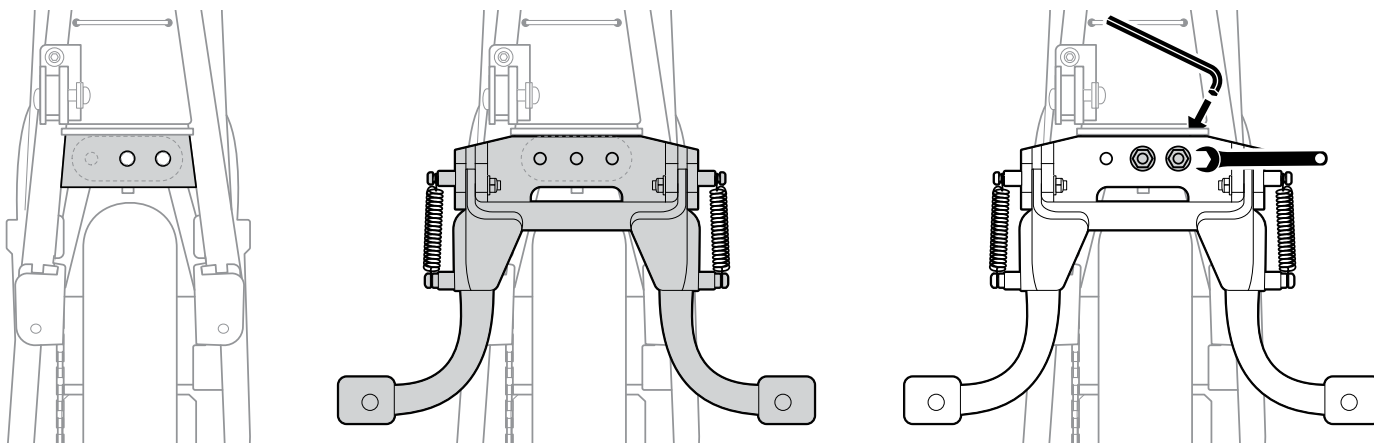
1. Bolt
2. Spring washer
3. Oval Plate
4. GSD
5. Atlas Kickstand
6. Washer
7. Nut



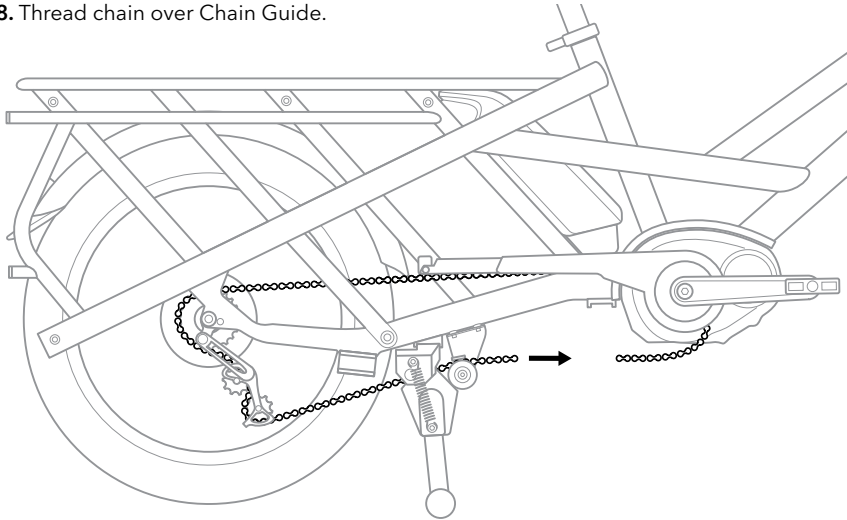
6. Position Oval Plate.



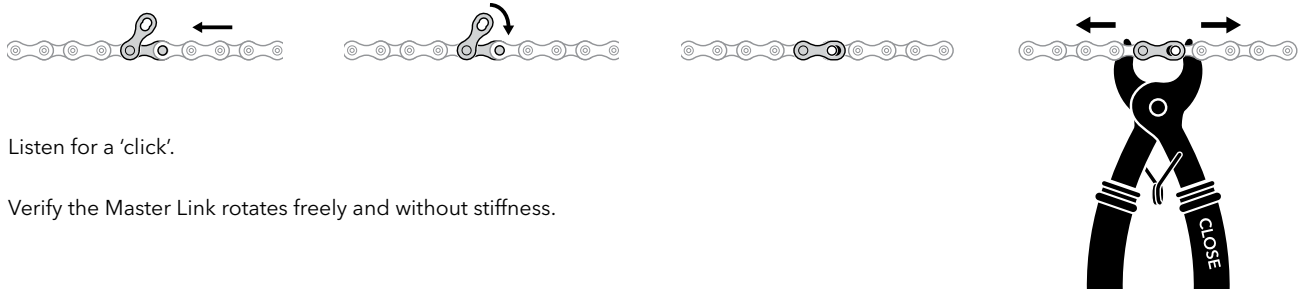
7. Install Bolts and tighten to a torque of 35-40 Nm.



8. Thread chain over Chain Guide.

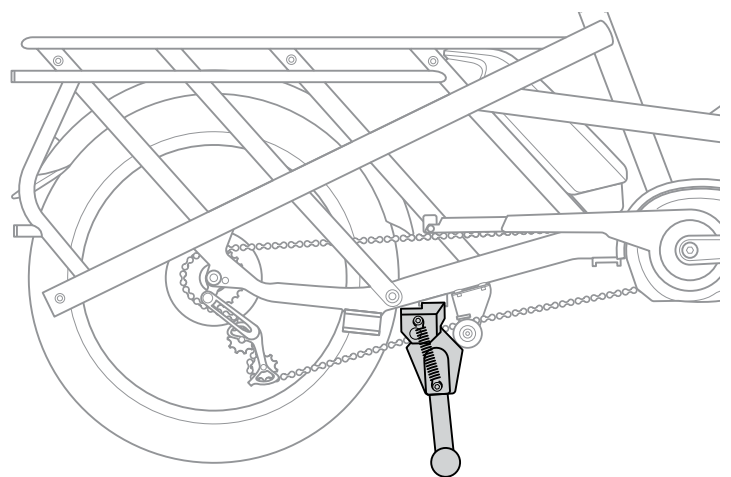
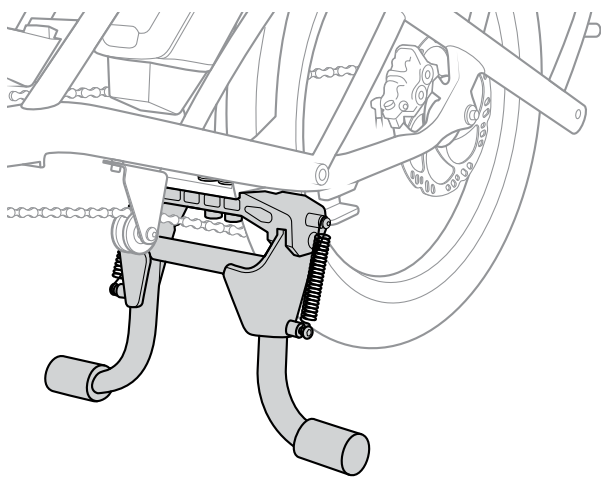


9. Press both halves of the Master Link connector together and use the Master Link Close Plier to lock outer plates into place.



Listen for a 'click'.

Verify the Master Link rotates freely and without stiffness.



LIMITED PRODUCT WARRANTY INFORMATION: This Product comes with a ONE (1) YEAR Limited Warranty from the date of retail purchase by the original end-user. If a material or workmanship defect arises and a valid claim is received within the Warranty Period, this Product will be replaced. Mobility Holdings cannot be held liable for damages to personal property due to misuse or improper care and maintenance. This Product Warranty does not, under any circumstance, cover the replacement or cost of any third party product used with or connected to the Product.

Tern, the Tern Werd (logotype), the Tern Berd (device), and GSD used alone or in combination are trade names, trade devices, or registered trademarks of Mobility Holdings, Ltd.

© 2025. Tern is a trademark of Mobility Holdings, Ltd. All Rights Reserved.