

## Manual Version 02

Make sure you have all the latest information needed to use and enjoy this product!

Visit [ternbicycles.com/support](http://ternbicycles.com/support) for updated:



## Weight Limits

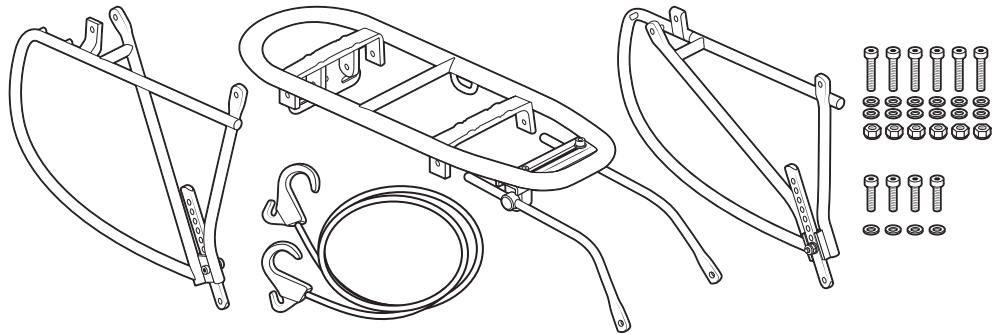
- ⚠ Do not exceed the load limit of 25 kg (55 lb).

## Safety

- ⚠ Cargo Rack is not designed for use with any kind of passenger seating accessories, including child seats.
- ⚠ The combined weight of the bike (including battery), rider, accessories, and cargo must NOT exceed the Maximum Gross Vehicle Weight (MGVW) indicated for your bike.
- ⚠ Make sure load weight is distributed evenly on both sides of the bike.
- ⚠ Secure all cargo before riding. Take care that all Straps are tied down and any loose items are secured.
- ⚠ Check to ensure all accessories have been correctly installed and securely fastened before riding.
- ⚠ Your bike may behave differently with cargo.

## What's Included

- Top Deck (with Front Stays) x 1
- Left Side Strut x 1
- Right Side Strut x 1
- SideStrap x 1
- M5 Mounting Screw Set x 4
  - M5 x 15 Screw, M5 Washer
- M5 Bolt Set x 6
  - M5 x 20 Bolt, M5 Washer, M5 Nut



## Installation

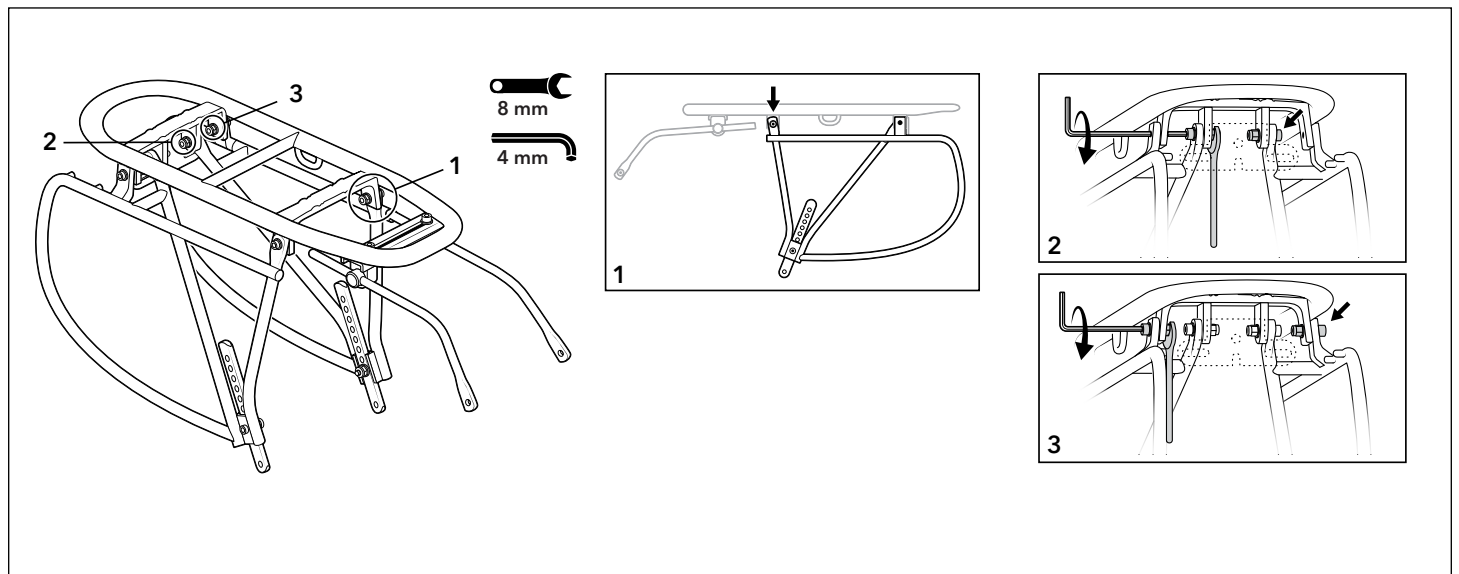
### Tools Required (Not Included)

- 4 mm Allen Wrench, 5 mm Allen Wrench, 8 mm Open Wrench, 10 mm Open Wrench

## How to Assemble

- ⚠ Add anti-seize lubricant to the tip of the Bolts before securing the Nuts. If anti-seize lubricant is not available, apply any standard lubricant to reduce friction and prevent thread galling.

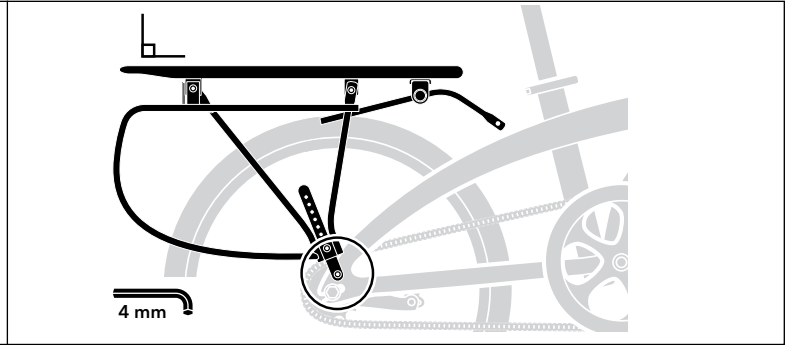
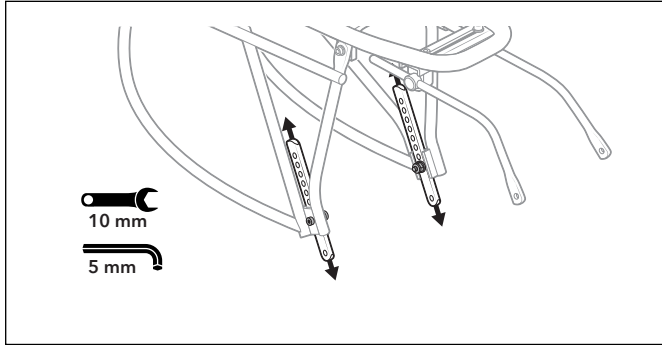
- Tighten Bolts to a torque of 6 Nm.
- Repeat steps 1-3 for the other Side Strut.



## How to Install

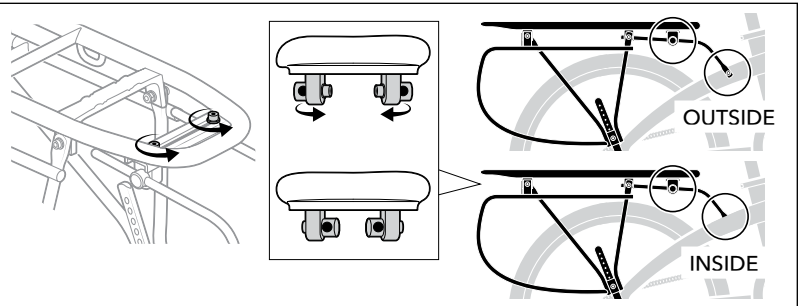
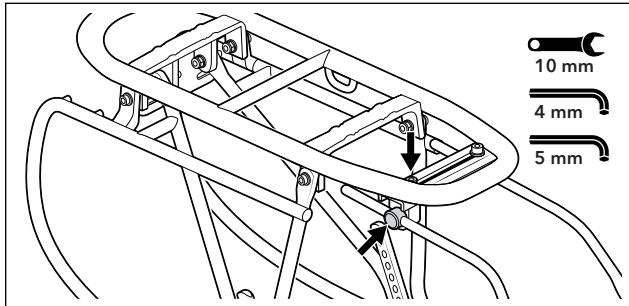
1. Adjust Cargo Rack height to fit your bike.

2. Secure via Screws in Dropout Eyelets. Tighten Screws to a torque of 6 Nm.



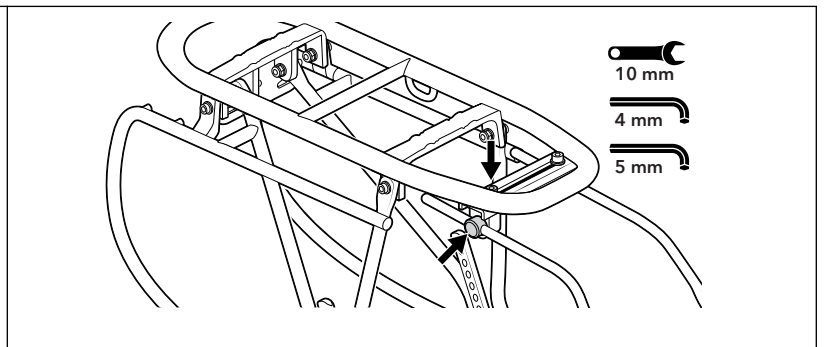
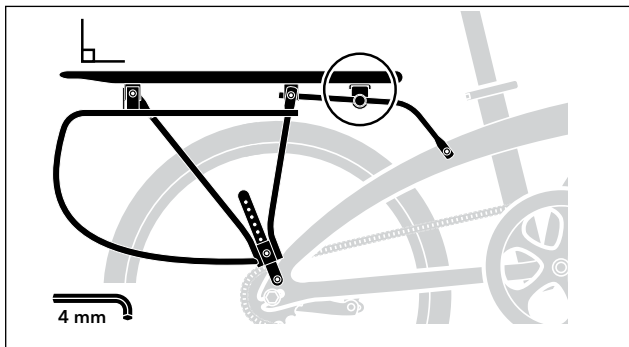
3. Loosen Front Stay Screw Sets and rotate the Front Stay Fix Points to change the side on which the Front Stays are mounted.

- For **Verge** and **Eclipse** bikes: Mount Front Stays on the **INSIDE** of the Fix Points.
- For **Link** and **Node** bikes: Mount Front Stays on the **OUTSIDE** of the Fix Points.

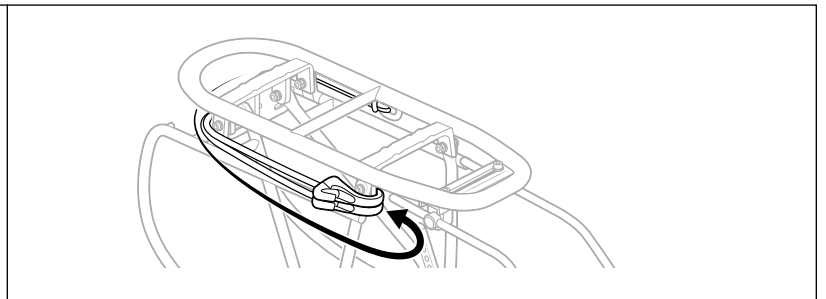
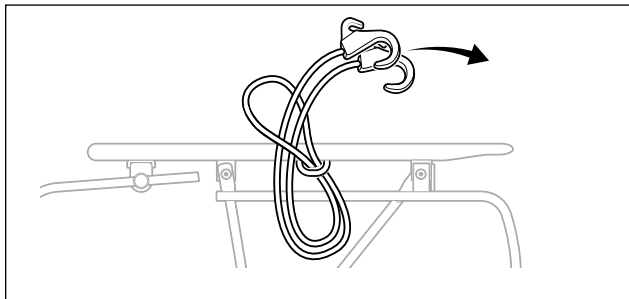


4. Secure Front Stays to Frame Upper Bosses by tightening Screws to a torque of 6 Nm.

5. Fasten Front Stay Screw Sets from Step 3. Tighten Screws to a torque of 4 Nm.



## How to Use Strap Loop

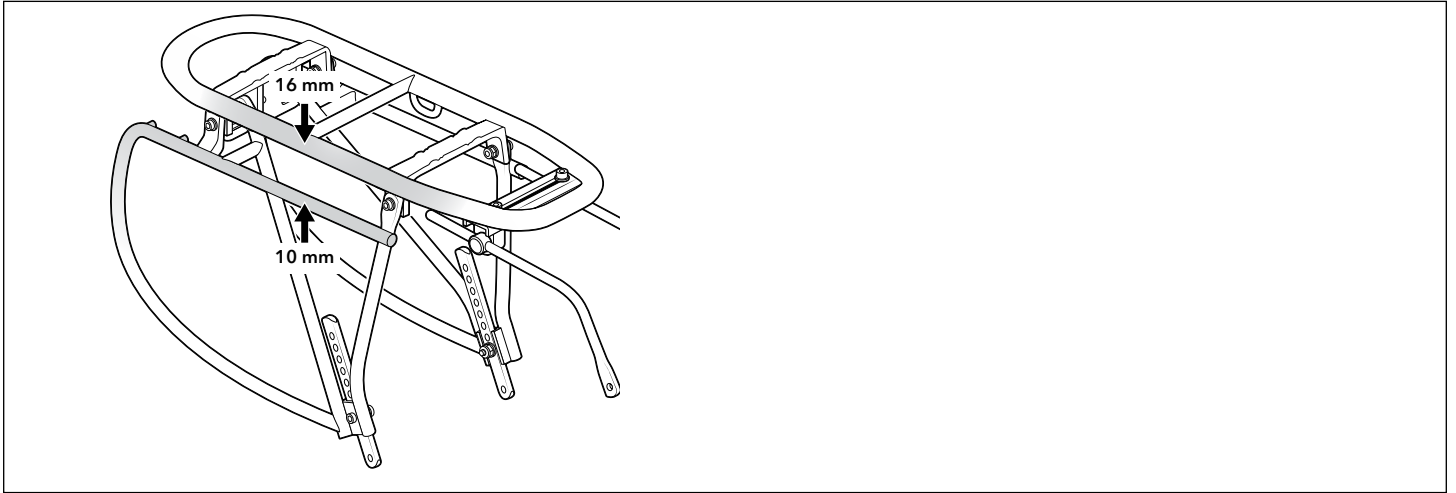


## Fitting Pannier Bags

Attach side pannier bags to the upper or lower rails of the Cargo Rack Deck.

The tube diameter of the upper rails is 16 mm.

The tube diameter of the lower rails is 10 mm. Stops at the rear of the lower rail ensure pannier bags stay in place.



LIMITED PRODUCT WARRANTY INFORMATION: This Product comes with a ONE (1) YEAR Limited Warranty from the date of retail purchase by the original end-user. If a material or workmanship defect arises and a valid claim is received within the Warranty Period, this Product will be replaced. Mobility Holdings cannot be held liable for damages to personal property due to misuse or improper care and maintenance. This Product Warranty does not, under any circumstance, cover the replacement or cost of any third party product used with or connected to the Product.

Tern, the Tern Werd (logotype), the Tern Berd (device), and Cargo Rack used alone or in combination are trade names, trade devices, or registered trademarks of Mobility Holdings, Ltd.

© 2025. Tern is a trademark of Mobility Holdings, Ltd. All Rights Reserved.

   @ternbicycles

[ternbicycles.com](https://ternbicycles.com)