

# Cargo Hold 28 Pannier™

Manual Version 02

Make sure you have all the latest information needed to use and enjoy this product!

Visit [ternbicycles.com/support](http://ternbicycles.com/support) for updated:



MANUALS



COMPATIBILITY



ARTICLES



VIDEOS



& MORE



## Volume

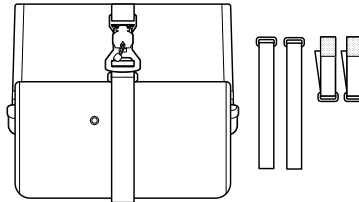
- 28 L (1,709 cu in) carrying capacity

## Weight Capacity

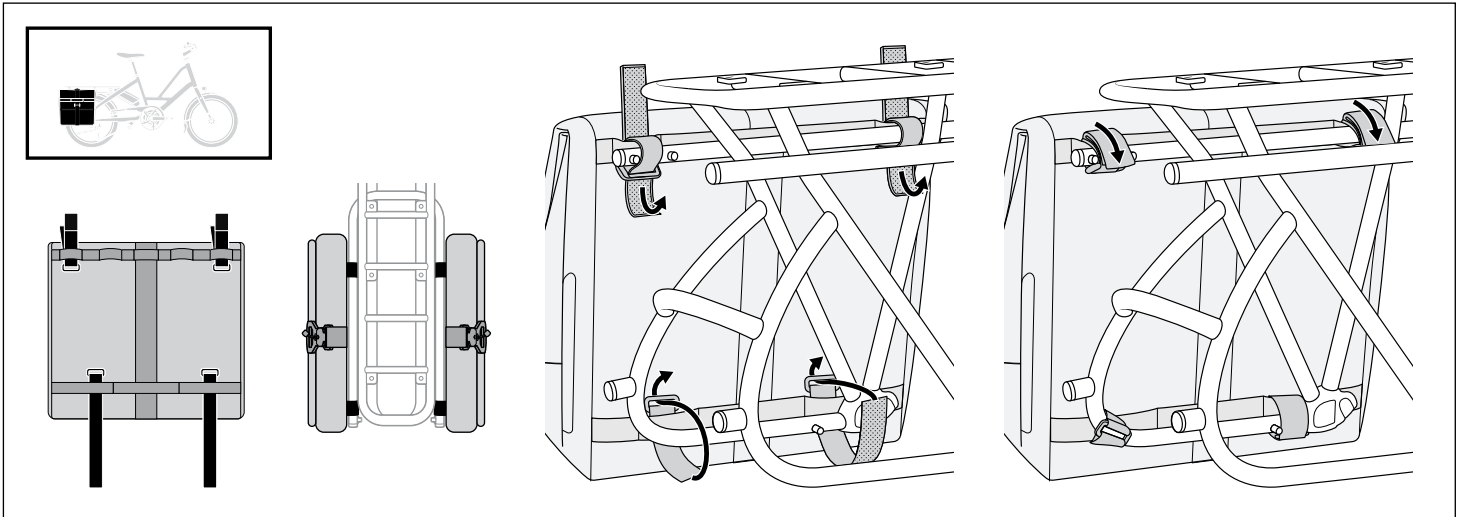
- 9 kg (20 lb) max load

## What's Included

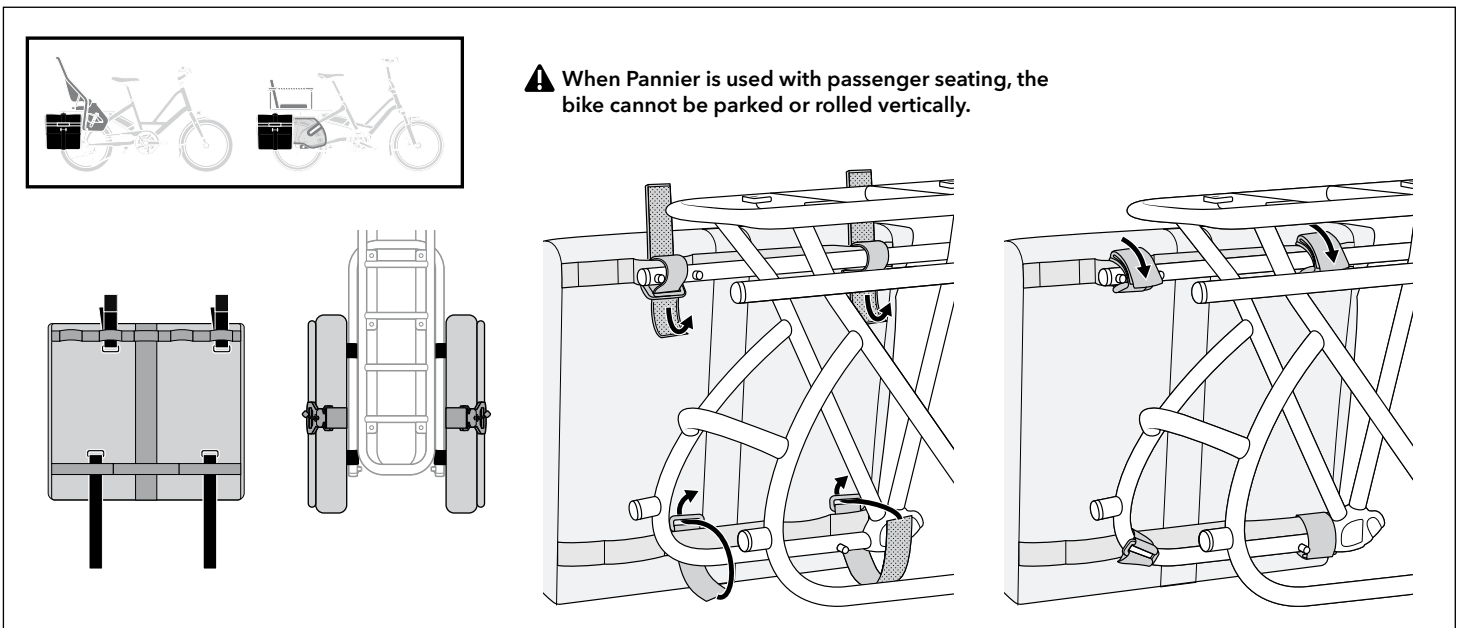
- Cargo Hold 28 Pannier x 1
- Self-fastening Strap 25.4 x 215 mm (1" x 8.5") x 2
- Self-fastening Strap 25.4 x 110 mm (1" x 4.3") x 2



## Installation on HSD, Quick Haul, or Short Haul (without passenger seating)

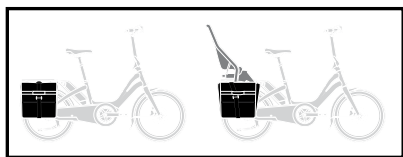


## Installation on HSD, Quick Haul, or Short Haul (with passenger seating)

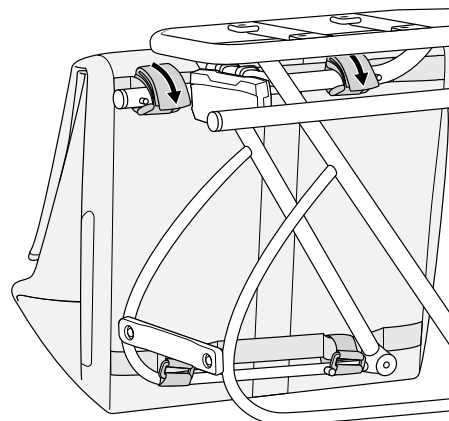
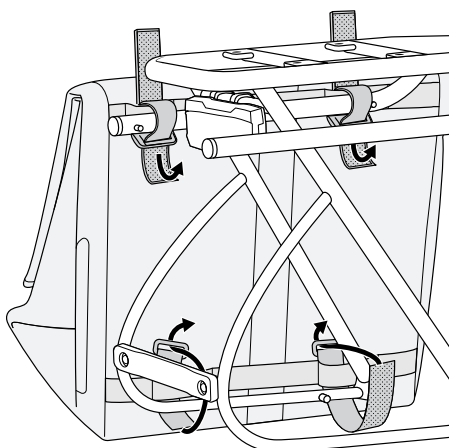
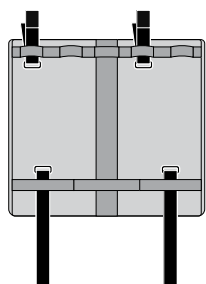


# Cargo Hold 28 Pannier™

## Installation on NBD

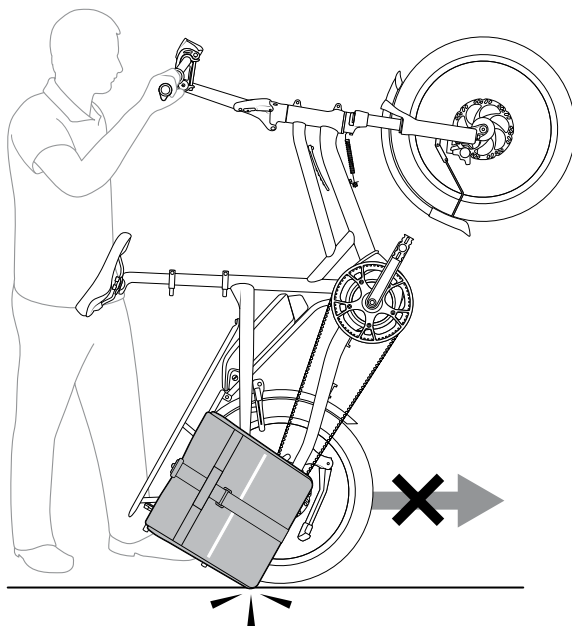


**⚠** Installing a child seat will block access to the frame lock. To use the frame lock, remove it from the rear wheel area and reinstall it behind the front fork of the NBD.



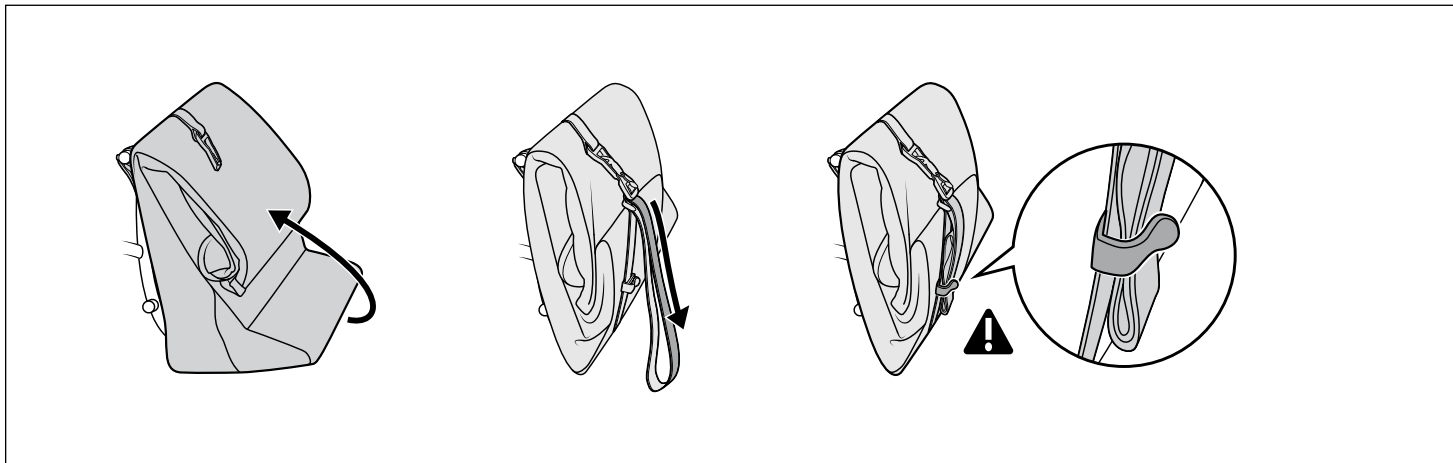
## Rolling into Vertical Parking Position

Please take care when moving the bike into the vertical parking position because the pannier may come into contact with the ground. Scratching and damage may occur.

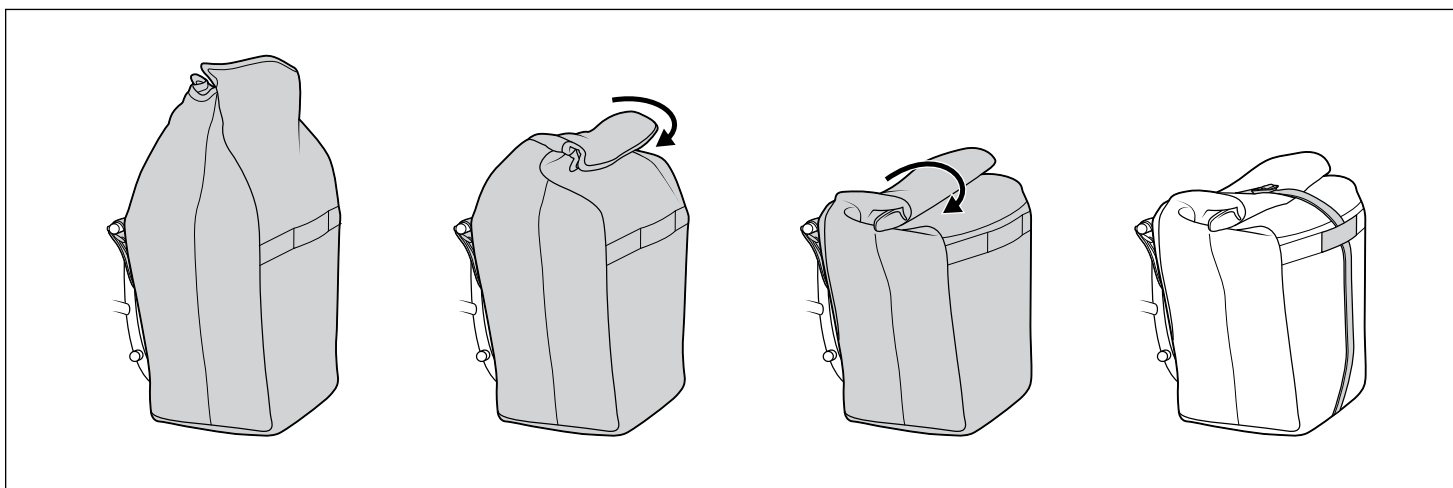


# Cargo Hold 28 Pannier™

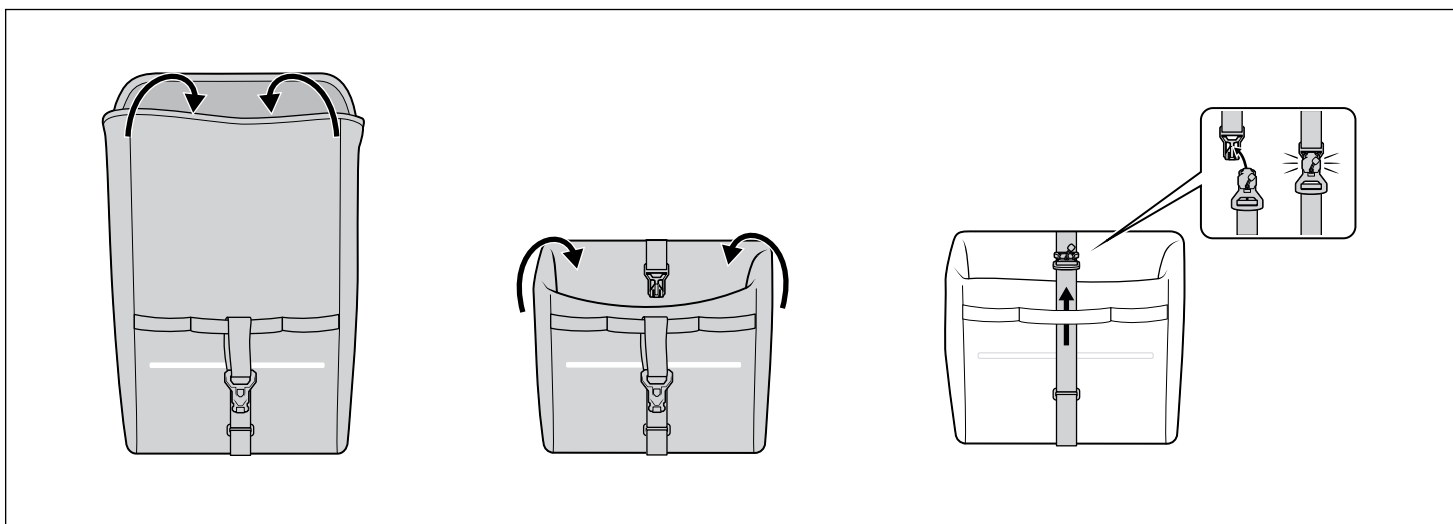
## Flat Fold



## Pannier Mode



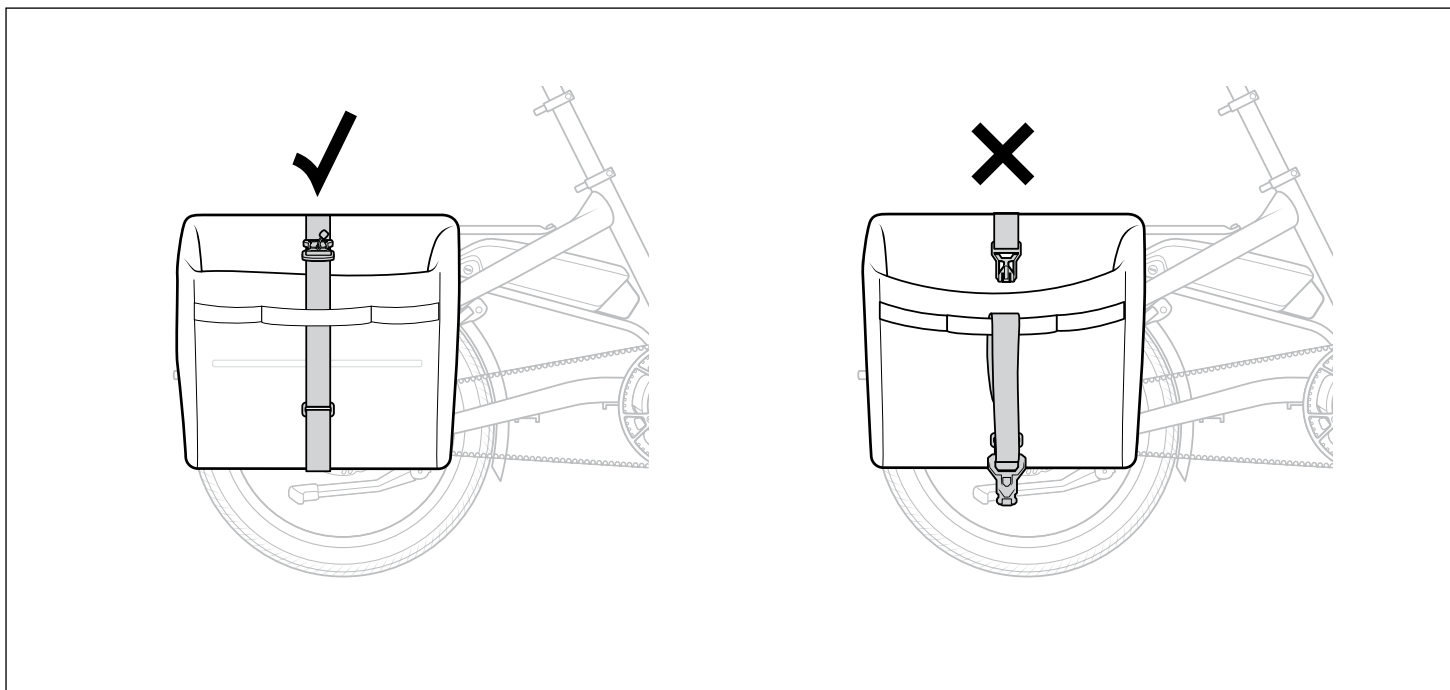
## Bucket Mode



# Cargo Hold 28 Pannier™

## SAFETY

- ⚠ The combined weight of the bike, including the battery, rider, passenger(s), accessories, and cargo must NOT exceed the Maximum Gross Vehicle Weight (MGVW) indicated for your bike.
- ⚠ Refer to the child seat user manual for proper installation and use.
- ⚠ Check to ensure accessories have been correctly installed and securely fastened before riding. No straps, buckles, cords, or fasteners of any kind should be left dangling.
- ⚠ Secure all cargo before riding. Take care that all straps are tied down and any loose items are secured.
- ⚠ Your bike may behave differently with cargo and passengers.



LIMITED PRODUCT WARRANTY INFORMATION: This Product comes with a ONE (1) YEAR Limited Warranty from the date of retail purchase by the original end-user. If a material or workmanship defect arises and a valid claim is received within the Warranty Period, this Product will be replaced. Mobility Holdings cannot be held liable for damages to personal property due to misuse or improper care and maintenance. This Product Warranty does not, under any circumstance, cover the replacement or cost of any third party product used with or connected to the Product.

Tern, the Tern Werd (logotype), the Tern Berd (device), Cargo Hold 28 Pannier, HSD, NBD, Quick Haul, and Short Haul, used alone or in combination are trade names, trade devices or registered trademarks of Mobility Holdings, Ltd.

© 2025. Tern is a trademark of Mobility Holdings, Ltd. All Rights Reserved.

   @ternbicycles

[ternbicycles.com](https://ternbicycles.com)