

Cargo Hold 52 Panniers™

Manual Version 01

Make sure you have all the latest information needed to use and enjoy this product!

Visit ternbicycles.com/support for updated:



MANUALS COMPATIBILITY ARTICLES VIDEOS & MORE



Volume

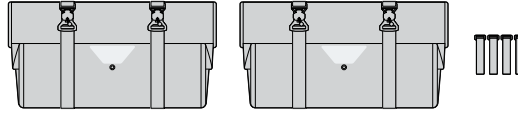
- 52 L (3,173 cu in) carrying capacity per pannier.

Weight Capacity

- 15 kg (33 lb) max load per pannier.

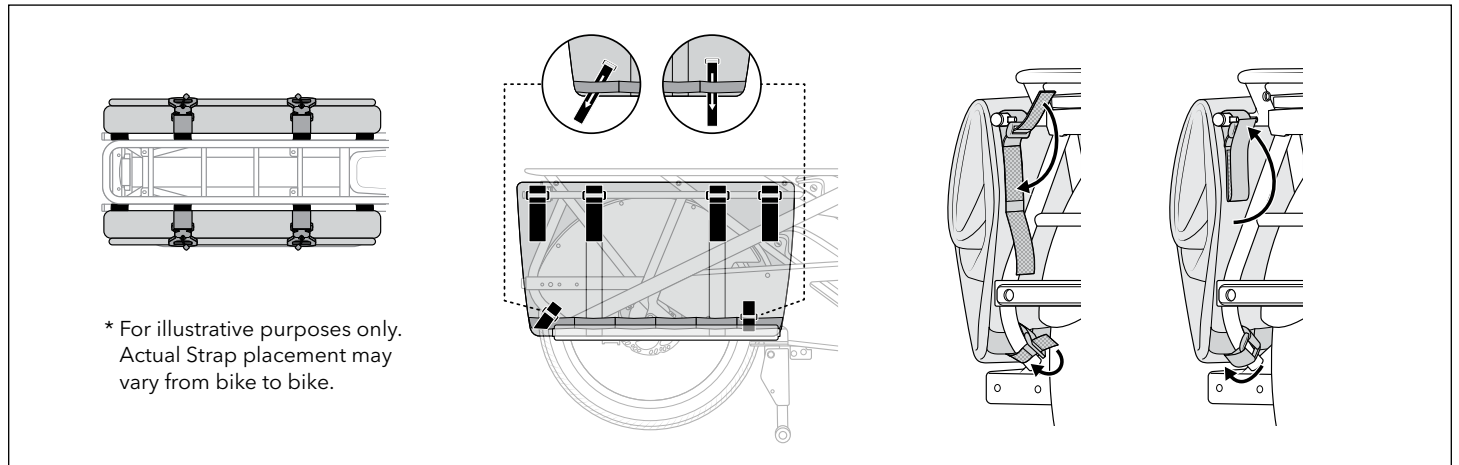
What's Included

- Cargo Hold 52 Pannier x 2
- Self-fastening Strap 25.4 x 215 mm (1" x 8.5") x 4



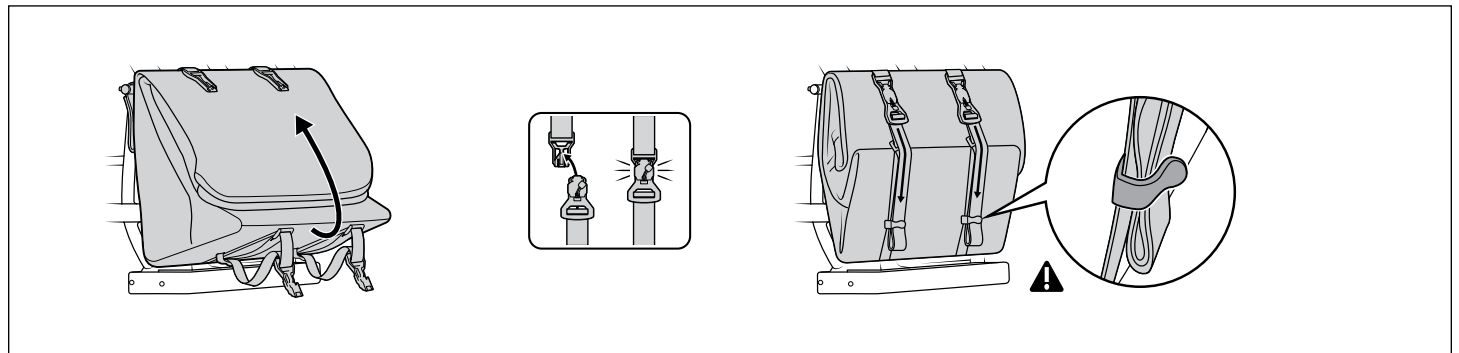
Installation

- ⚠ Ensure placement of the Self-fastening Straps does not interfere with brake rotors, cables, chain, belt, and/or cassettes.



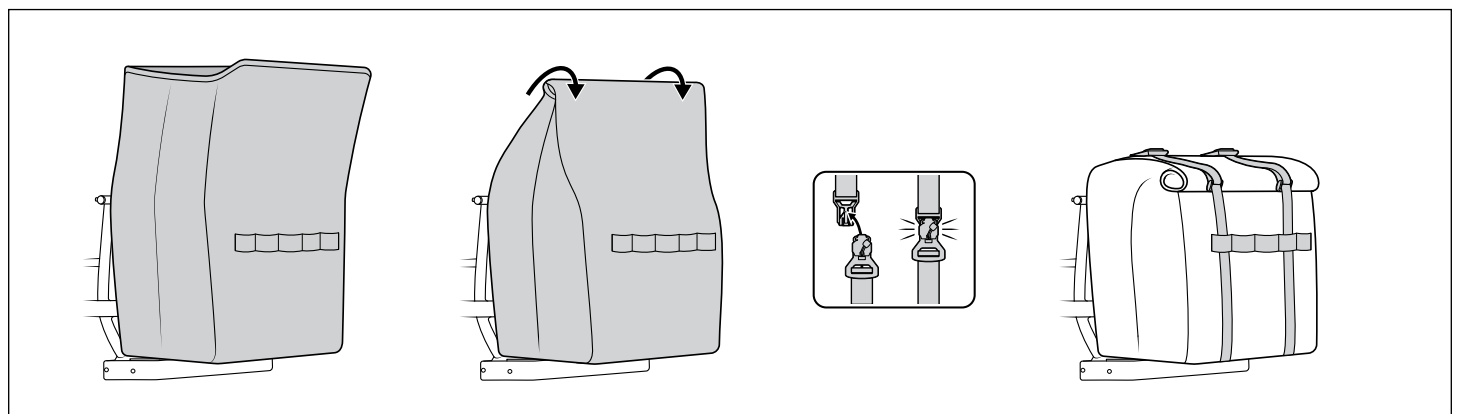
Flat Fold

- Keeps Panniers folded flat against the bike when not in use.



Roll-Top Closure

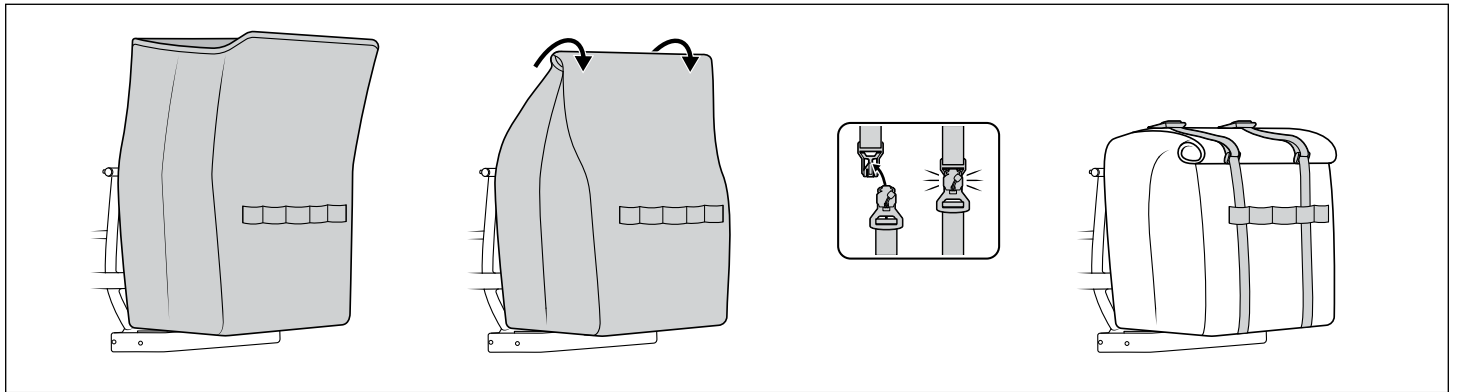
- Keeps your stuff safely enclosed and dry on the road.



Cargo Hold 52 Panniers™

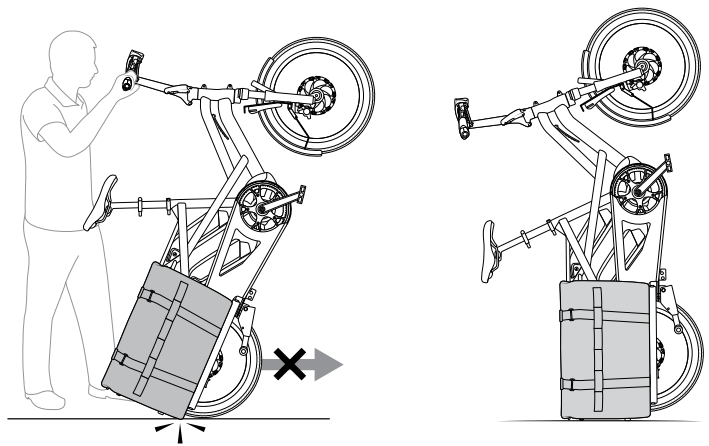
Bucket Mode

- Allows Panniers to be used with up to two compatible child seats.
- Recommended for carrying oversized cargo, and for easy-access to your stuff when weather protection is not needed.



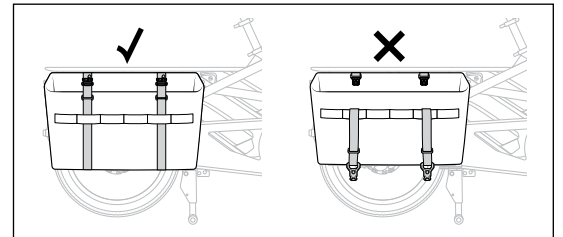
Rolling into Vertical Parking Position

- ⚠ Please take care when rolling the bike into vertical parking position, as the Panniers may come into contact with the ground. Scratching and damage may occur.



Important Notes

- Load Panniers so that weight is distributed evenly on both sides of the bike.
- Bike may behave differently when Panniers are loaded.
- Tighten Straps for a more stable riding experience.
- Panniers with untightened Straps may come into contact with ground when cornering and be damaged.
- Ensure all Buckles are securely fastened before riding. Loose Buckles may drag on the ground and lead to accidents.
- Check by tugging on Straps. Buckles should not come unlatched.



How to Clean

Wipe using dampened cloth with mild soap. Allow Panniers to fully dry before storing.

- ⚠ Do not use bleach or other harsh chemicals.
- ⚠ Do not machine wash or machine dry.

LIMITED PRODUCT WARRANTY INFORMATION: This Product comes with a ONE (1) YEAR Limited Warranty from the date of retail purchase by the original end-user. If a material or workmanship defect arises and a valid claim is received within the Warranty Period, this Product will be replaced. This warranty does not cover normal wear and tear, routine maintenance, or damages caused by misuse or improper care. For the full terms of this warranty, see ternbicycles.com/warranty.

TERN, tern (stylized), the Berd image, and Cargo Hold 52 Panniers are registered trademarks of Mobility Holdings, Ltd. in the United States, EU, and other jurisdictions where they have been registered. In all other jurisdictions, Mobility Holdings, Ltd. asserts its rights in these marks to the fullest extent permitted by applicable law.

© 2025. Tern is a trademark of Mobility Holdings, Ltd. All Rights Reserved.

   @ternbicycles

ternbicycles.com