

Manual Version 03

Make sure you have all the latest information needed to use and enjoy this product!

Visit ternbicycles.com/support for updated:

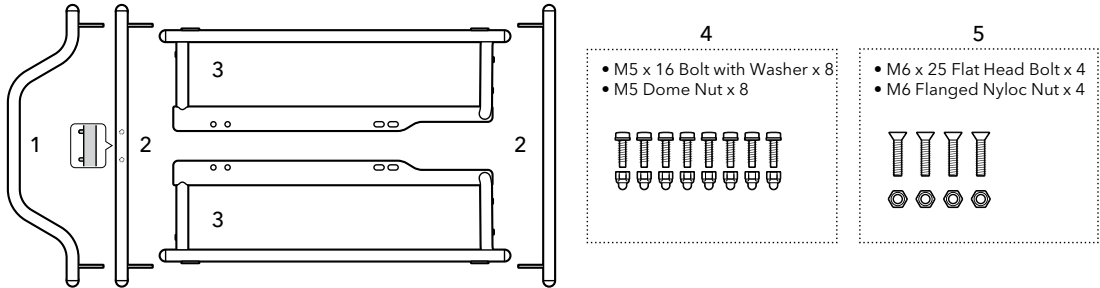


MANUALS COMPATIBILITY ARTICLES VIDEOS & MORE



What's Included

1. Child Seat Expansion Bar
2. Flat Bar x 2
3. Clubhouse Frame x 2
4. M5 Bolt Set
5. M6 Bolt Set



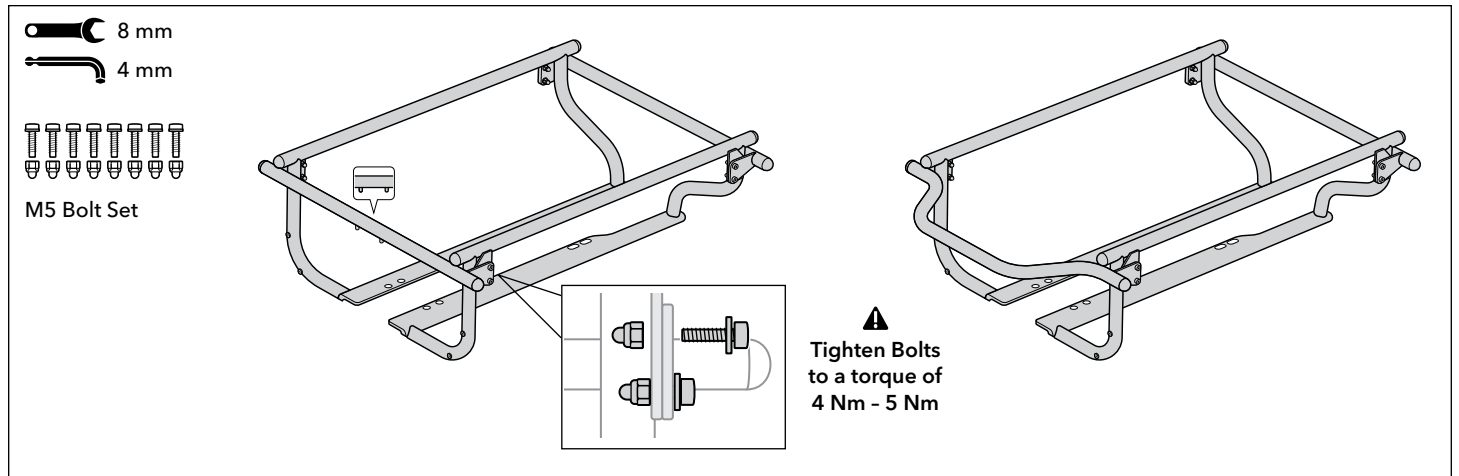
Installation

Tools Required (Not Included)

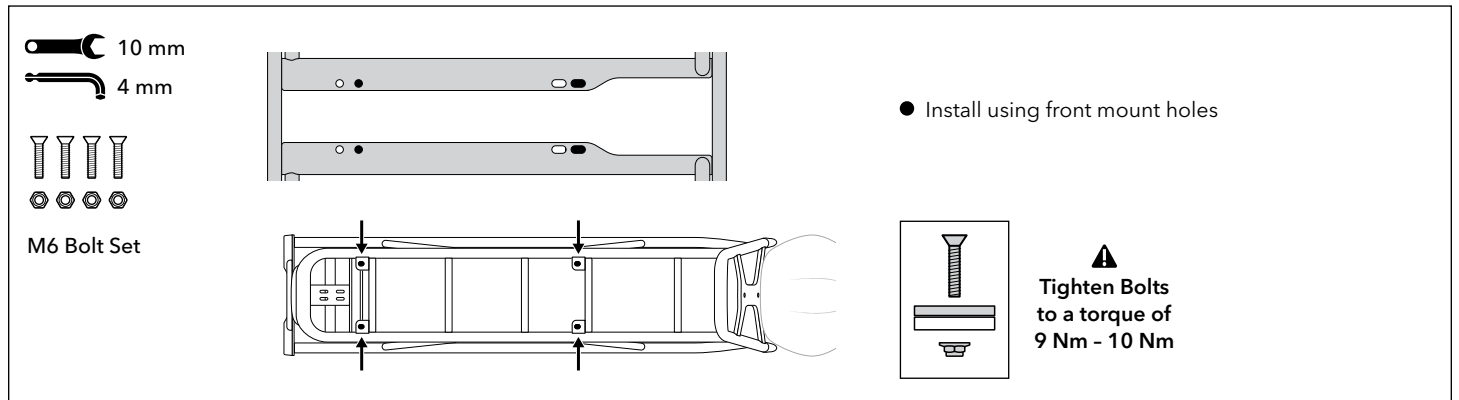
- 4 mm Allen Wrench with Ball End
- 8 mm and 10 mm Open-End Wrench

⚠ Add anti-seize lubricant to the tip of the bolts before securing the nuts. If anti-seize lubricant is not available, apply any standard lubricant to reduce friction and prevent thread galling.


How to Assemble



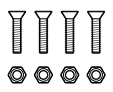
How to Install the Clubhouse on Orox™



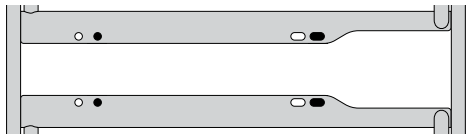
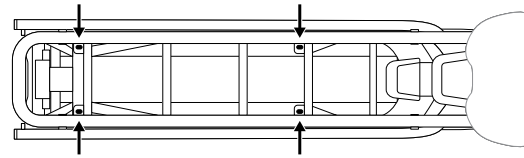
How to Install the Clubhouse on Other Compatible Bikes



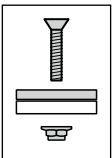
10 mm
4 mm



M6 Bolt Set

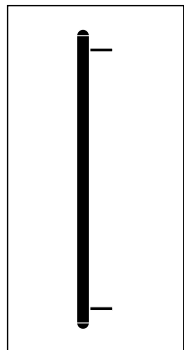
- Front mount holes are recommended when using Clubhouse with Expansion Bar.
- Rear mount holes are recommended when using Clubhouse with Flat Bar.

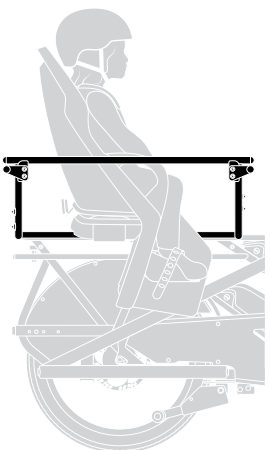


⚠
Tighten Bolts
to a torque of
9 Nm - 10 Nm

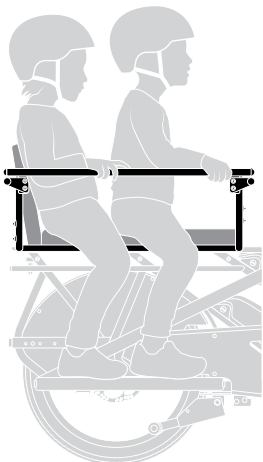
Transporting One or Two Children

Additional accessories required will depend on your passenger needs.

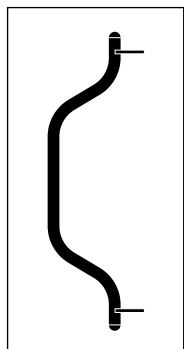


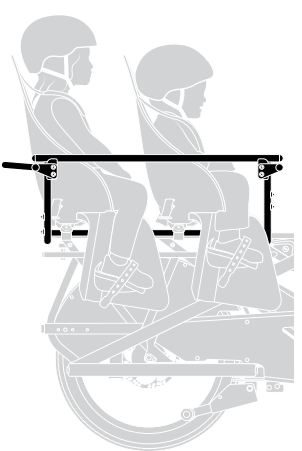


- 1 child seat

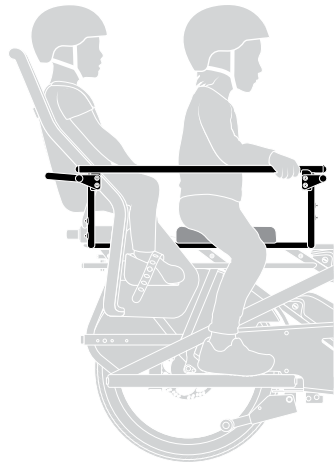


- 1 Clubhouse Backrest
- 2 Clubhouse Seat Pads





- 2 child seats

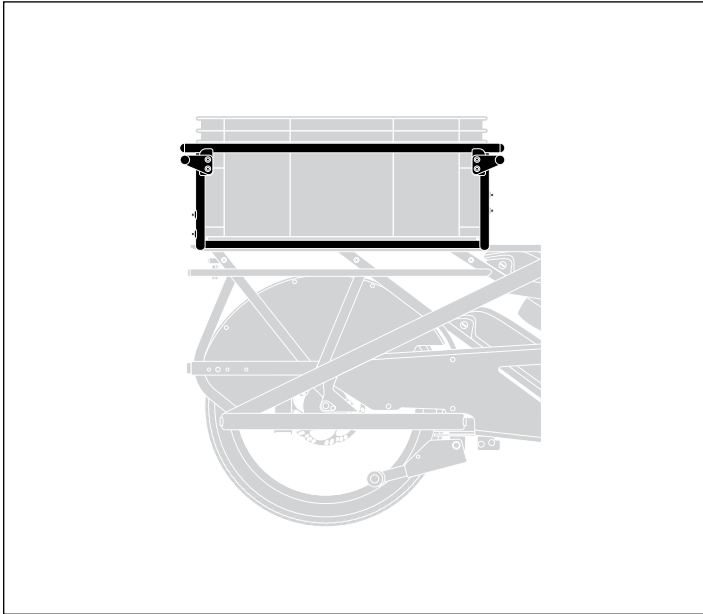


- 1 child seat
- 1 Clubhouse Seat Pad

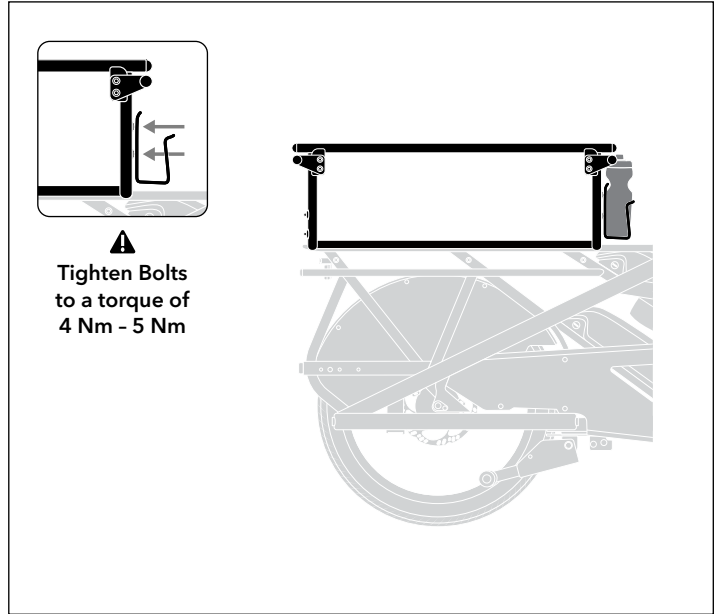
⚠ Clubhouse only supports vertical parking when Flat Bar is used. Expansion Bar will interfere with vertical parking.

⚠ Clubhouse is not intended to provide protection in the event of an accident or if the bike falls over. It is solely intended to keep passengers or cargo centered while riding.

Carrying Cargo



Installing a Bottle Cage or Lock



Additional Accessories (Sold Separately)

Are your children ready to ride without child seats? Create a padded cabin for them!



LIMITED PRODUCT WARRANTY INFORMATION: This Product comes with a ONE (1) YEAR Limited Warranty from the date of retail purchase by the original end-user. If a material or workmanship defect arises and a valid claim is received within the Warranty Period, this Product will be replaced. This warranty does not cover normal wear and tear, routine maintenance, or damages caused by misuse or improper care. For the full terms of this warranty, see ternbicycles.com/warranty.

TERN, tern (stylized), the Berd image, Clubhouse, Clubhouse Backrest, Clubhouse Seat Pad, and Orox are registered trademarks of Mobility Holdings, Ltd. in the United States, EU, and other jurisdictions where they have been registered. In all other jurisdictions, Mobility Holdings, Ltd. asserts its rights in these marks to the fullest extent permitted by applicable law.

© 2025. Tern is a trademark of Mobility Holdings, Ltd. All Rights Reserved.

   @ternbicycles

ternbicycles.com

Carrying Rear Passengers

Before carrying passengers, it's important to familiarize yourself with your bike's capabilities by referring to its user manual and/or QuickStart Guide.

- ⚠ **Your bike may behave differently with passengers onboard.**
Practice handling the bike in a safe area before riding with passengers on public roads.

Safety Notes

Follow the Law

- ⚠ **Check your local regulations before carrying passengers:**
 - Some jurisdictions do not allow the carrying of passengers on the back of a bicycle. Others may require specific accessories to do so.
 - Specific laws may apply to the carrying of child passengers on a bicycle.

Know Your Riding Condition

- ⚠ Both front and rear tires must always remain in contact with the ground when riding with passengers. No passenger is allowed when riding on unimproved or unmaintained trails with a natural surface, even if your bike is designed to handle such terrain.

Ensure Your Bike Setup is Safe & Secure

- ⚠ Before each trip, check that accessories have been correctly installed and secured, and ensure there are no loose items on the bike or on your passenger(s) that may get caught in moving bike parts. Keep sharp objects away from children, and suitably cover any coil springs (e.g. under the saddle) to prevent trapping of fingers.

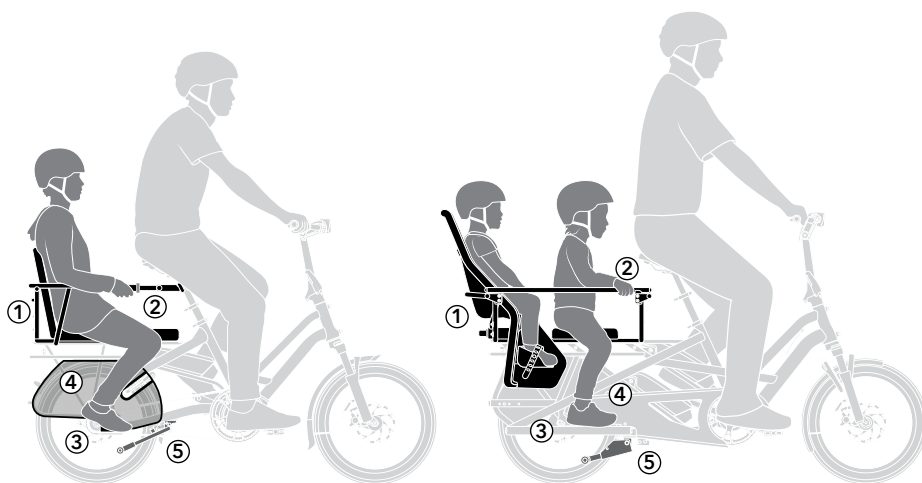
Do NOT Leave Children Unattended

Do not allow your children to climb onto the bike nor leave your children unattended on the bike, even if it is on the kickstand. Wriggling children can upset the balance of the bike and a fall may result in serious injuries.

Use Proper Equipment

- ⚠ **The bike must have the following accessories installed in order to safely transport rear passenger(s):**

- 1. Seating.** Purpose-built rear seating, chosen according to the passenger's needs
- 2. Handhold.** Something for the passenger to hold on to, other than the bike itself
- 3. Foot support.** Fixed platforms or dedicated foot rests on both sides of the bike
- 4. Foot and leg protection.** Something to prevent feet and legs from getting caught in the spinning wheel
- 5. Double kickstand (optional).** Dual-leg kickstand with a wide stance that keeps a bike standing firmly on the ground, providing extra stability when loading and unloading a young passenger



The illustrations above show a mix of suggested gear to safely carry passengers. Your combination of passenger accessories may differ depending on your needs. To learn more about how to safely carry passengers on your bike, visit ternbicycles.com.

Use Accessories Properly

If you're carrying young children on your bike, please follow the instructions provided by your child seat manufacturer for compatibility, installation, usage, and maintenance. To ensure your child's on-board safety, always use the restraint system provided by the manufacturer.

Only use child seats that are designed for your child's age and size. Your child passenger should be able to sit unaided, at least for the duration of the intended cycle journey. Always ensure your growing child's height and/or weight does not exceed the range recommended by the manufacturer.

Tern's seating, handhold, and foot support accessories are designed for use by seated rear passenger(s) only. Using them for unintended purposes such as lifting the bike or carrying substantial weight may cause damage to the bike and/or said accessories.

Follow Your Bike's Max Gross Vehicle Weight Limits

- ⚠ **Check your bike's user manual and/or QuickStart Guide for information about maximum gross vehicle weight* and/or cargo weight** limits. Please do not exceed these weight limits.**



* Maximum gross vehicle weight is the total weight of the bike, riders (the cyclist and any passengers), accessories, and cargo.

** Cargo weight is the total weight of passengers, accessories, and cargo.

Helmet Use

Mandatory helmet use vary across jurisdictions, so make sure to follow your local regulations. For safety, we strongly advise rider and passenger(s) to wear an approved helmet.



Scan to view available passenger accessories