

Required Equipment

▲ Install each accessory by following its included instructions, or download the manuals at ternbicycles.com/support.

GSD Gen 2

- Sidekick Doublewide Decks, Lockstand Extensions, and Lockstand QuadStruts

GSD Gen 3

- Stow Decks

Quick Haul Long Gen 1

- Stow Decks and Lockstand Extensions

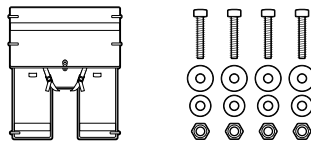
Weight Limits

▲ Weight limits vary by bike model. Before loading your bike, check the maximum gross vehicle weight (MGVW), rear rack load capacity, and kickstand load capacity. Do not exceed any of these limits.

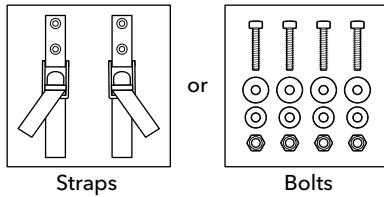
The combined weight of the bike (including battery), rider, accessories, and cargo must not exceed the MGVW specified for your bike.

What's Included

- Cargo Box 275
- M6 x 25 Bolt x 4
- M6 x OD 16 x T1 mm Washer x 4
- M6 x OD 13 x T1 mm Washer x 4
- M6 Nylon Nut x 4

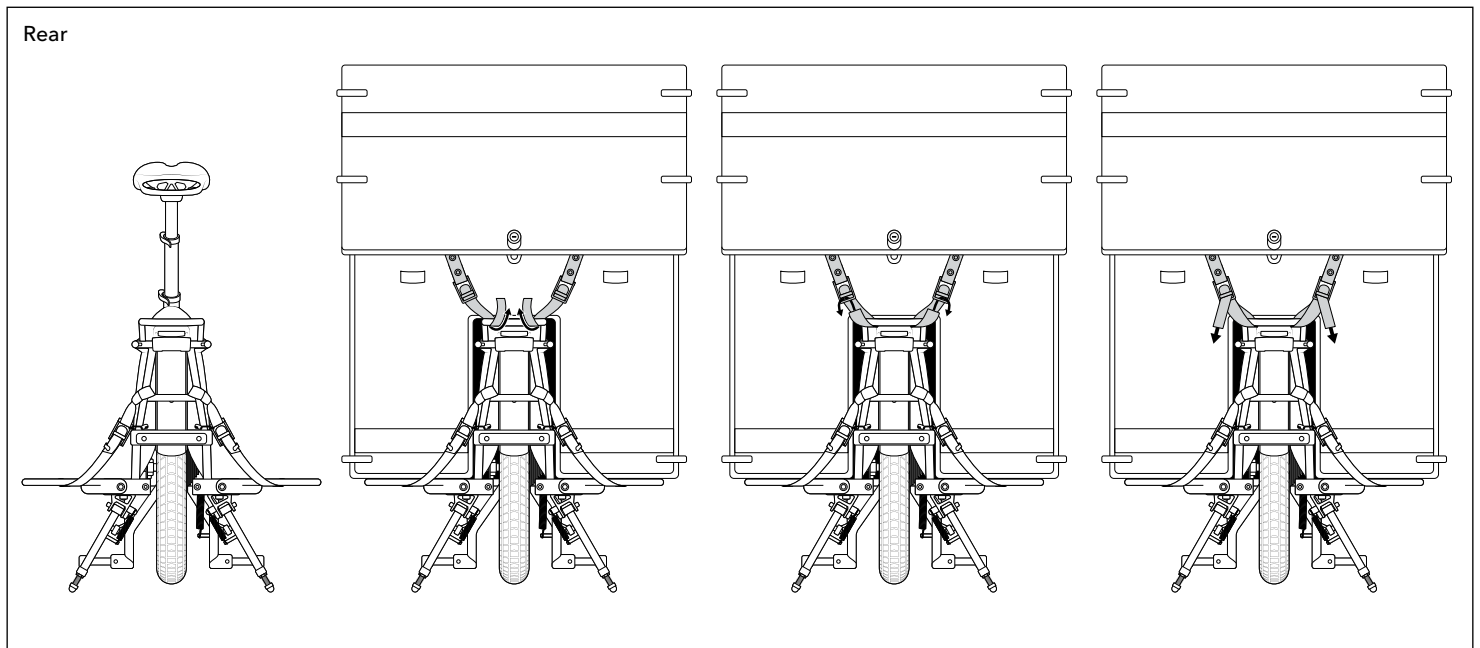


Installation

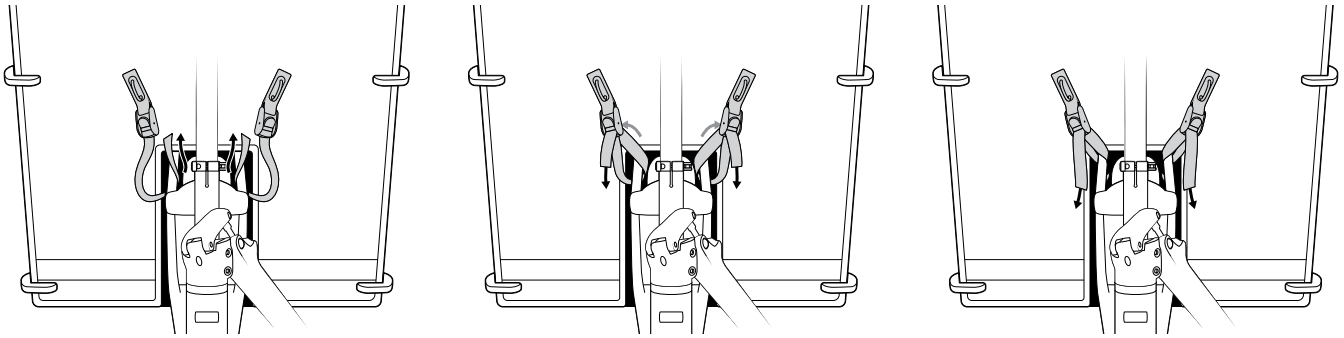


Using Straps

Fasten the Straps to the left and right side of the bike.



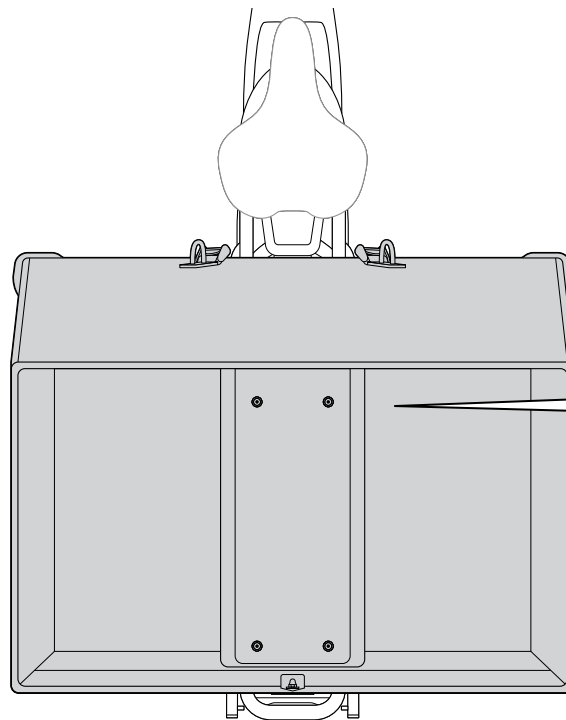
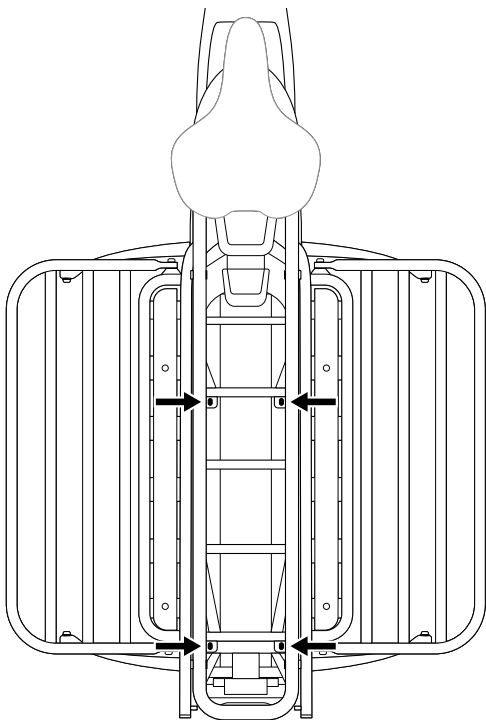
Front



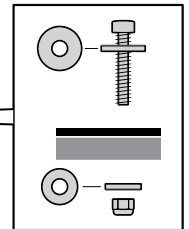
Using Bolts

- ⚠ Requires two persons to install the Box.
- ⚠ Add anti-seize lubricant to the tip of the Bolts before securing the Nuts. If anti-seize lubricant is not available, apply any standard lubricant to reduce friction and prevent thread galling.
- ⚠ Removal of Battery prior to installation is suggested.

5 mm 10 mm



⚠
Tighten Bolts
to a torque of
5 Nm - 6 Nm



LIMITED PRODUCT WARRANTY INFORMATION: This Product comes with a ONE (1) YEAR Limited Warranty from the date of retail purchase by the original end-user. If a material or workmanship defect arises and a valid claim is received within the Warranty Period, this Product will be replaced. Mobility Holdings cannot be held liable for damages to personal property due to misuse or improper care and maintenance. This Product Warranty does not, under any circumstance, cover the replacement or cost of any third party product used with or connected to the Product.

© 2026. Mobility Holdings, Ltd. All Rights Reserved. TERN, tern (stylized), the Berd image, GSD, and Quick Haul Long are each registered trademarks of Mobility Holdings, Ltd. in at least one of the United States, EU, or other jurisdictions. In other jurisdictions, Mobility Holdings, Ltd. claims rights to these marks to the fullest extent permitted by applicable law.